

one 7 **HyperEvo**

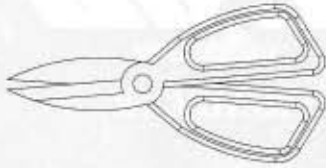
1/7 GAS POWERED 4WD TOURING CAR

Instruction Manual

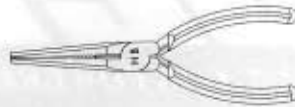
Hobao Racing

TOOLS RECOMMENDED

Curved scissors



Long nose pliers



Modeling knife



1.5MM

2MM

2.5MM

3MM

3MM

4MM

5MM



SCREWDRIVER

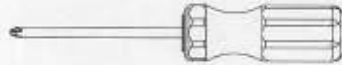
SCREWDRIVER (LARGE)



⊕ Screwdriver(large)



⊕ Screwdriver(small)



⊖ Flat Screwdriver



Hex wrench with

1.5MM

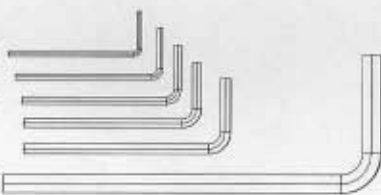
2MM

2.5MM

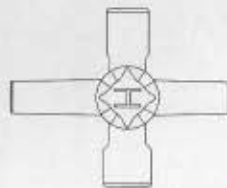
3MM

4MM

8MM



Cross wrench



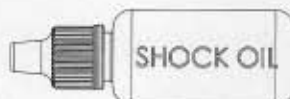
Silicone oil



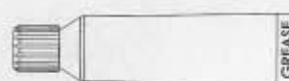
Screw cement



Shock oil



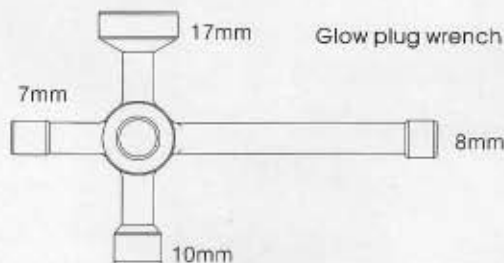
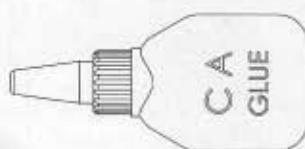
Grease



Air filter oil



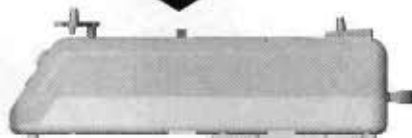
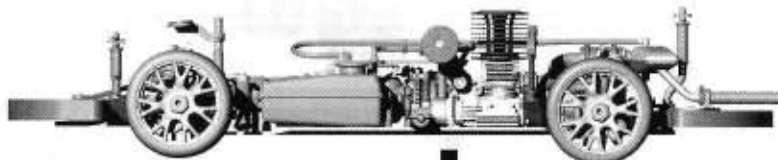
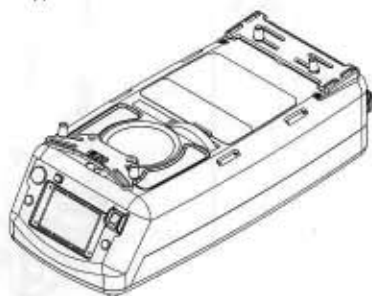
Instant cement



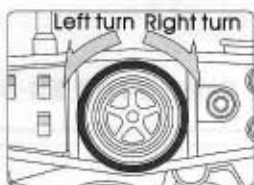
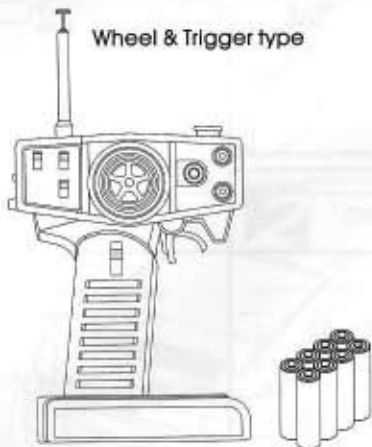
Glow plug wrench



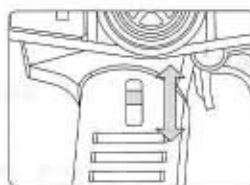
Hyper starter box



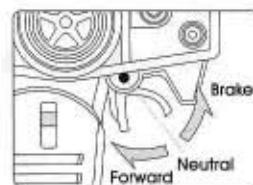
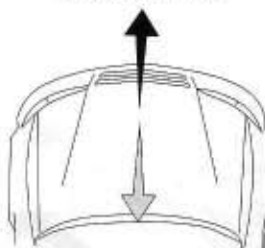
Wheel & Trigger type



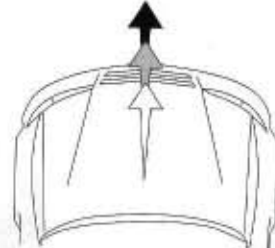
Left turn Right turn



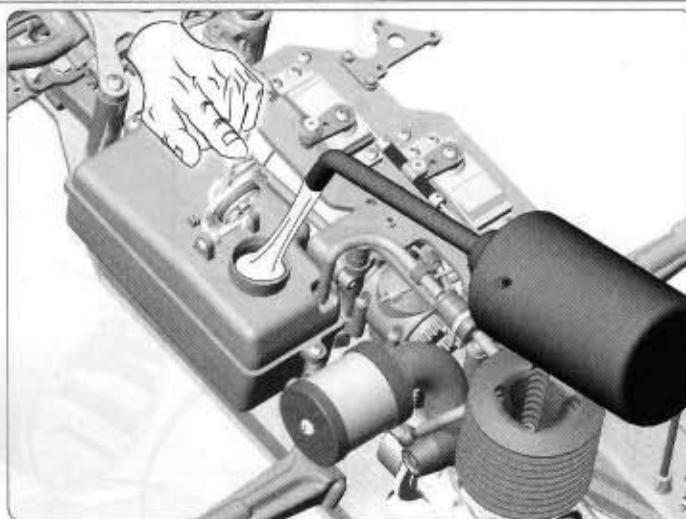
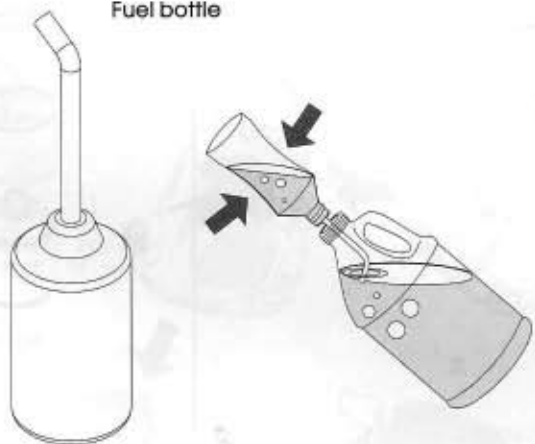
Reverse switch



Forward & Brake



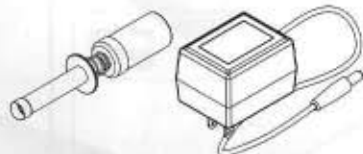
Fuel bottle



Glow plug

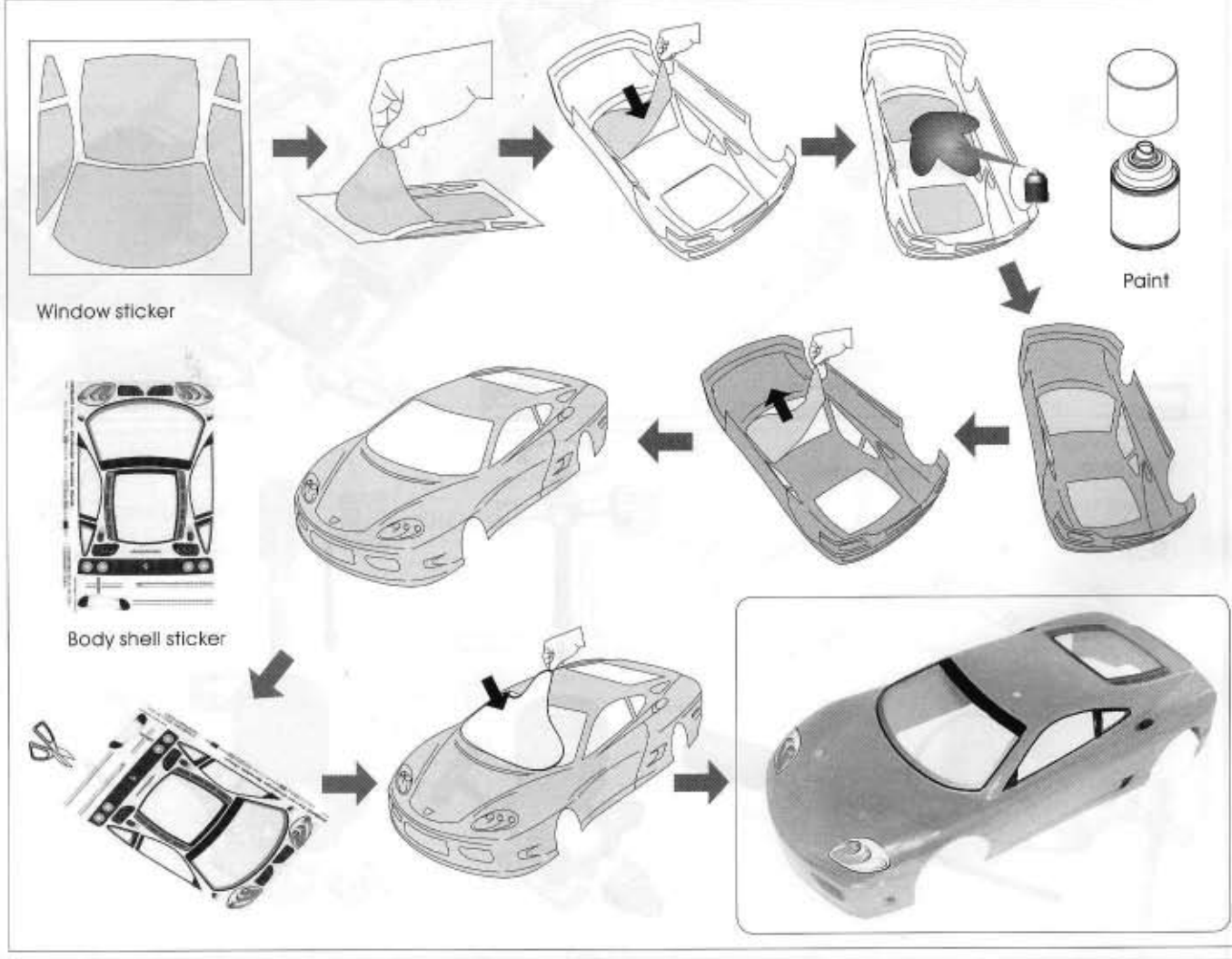
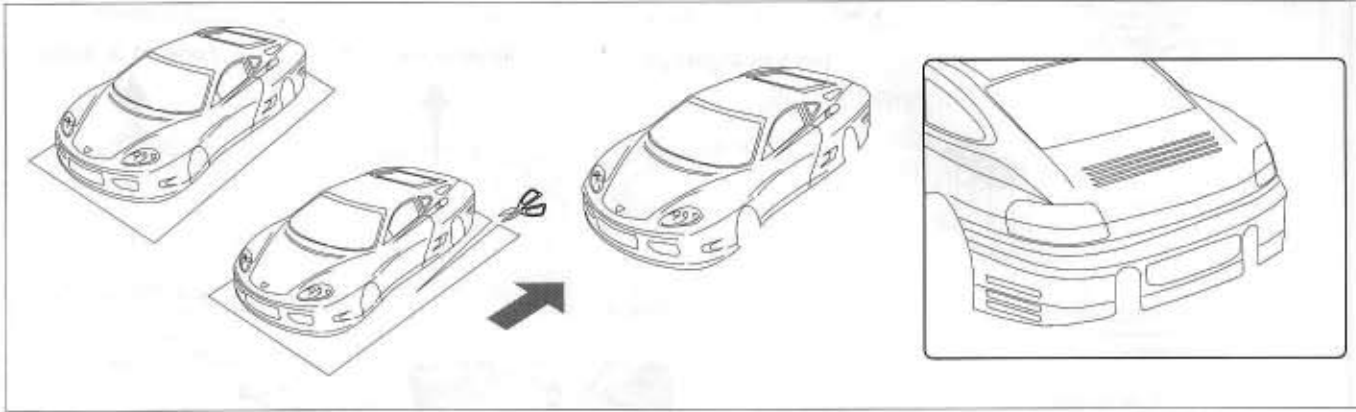


Glow heater



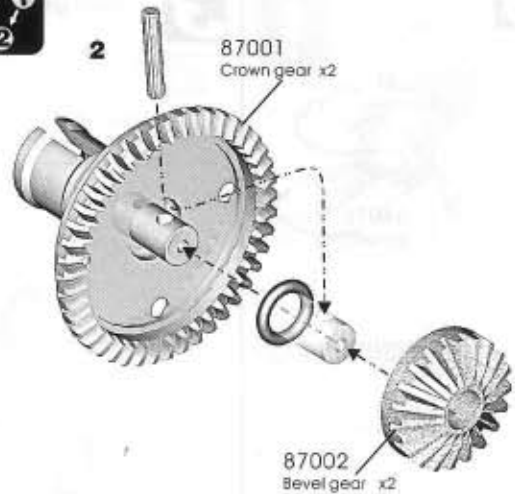
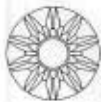


Nylon strip

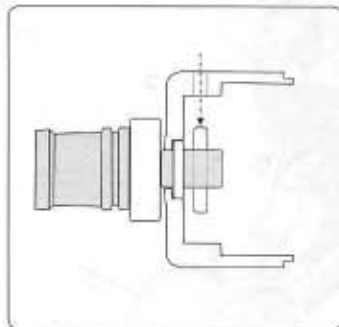


184076 8x16mm
Ball bearing x287004 5.8x1.9mm
O-ring x287003 2.5x13.8mm
Shaft x2**1**

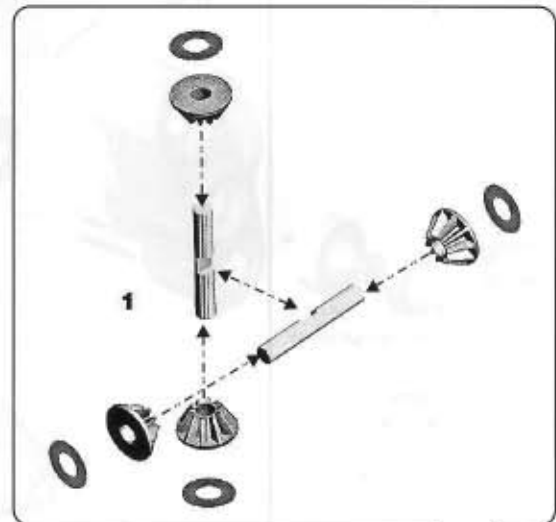
Differential gear (Front and Rear) X2

3
2
187003
Diff drive shaft X2**1****2**87001
Crown gear x287002
Bevel gear x2**2**87004 4x4mm
Set screws x287002 4.2x8x0.2mm
Washer X887001 3x10mm
F/H screw X887003 2.5x13.8mm
Shaft X287004 5.8x1.9mm
O-ring X287002 4x26.8mm
Shaft X284076 8x16mm
Ball bearing X287002 Small
bevel gear X8**2**

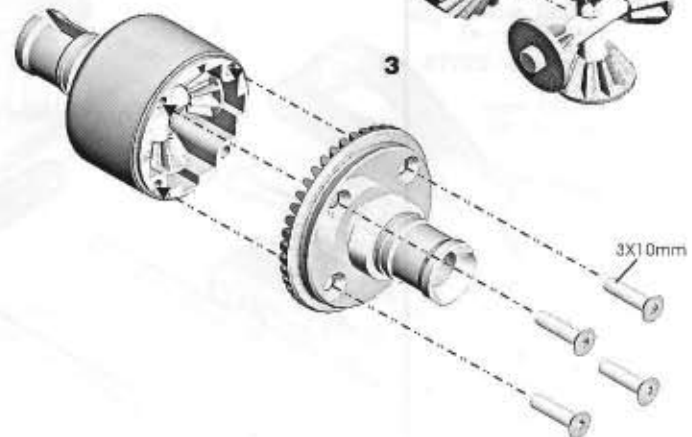
Differential gear (Front and Rear) X2

3
2
187003
Diff drive shaft X2

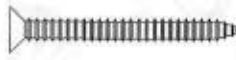
4x4mm

287004
Diff. case X2**1**87002
Bevel gear X287004 22x0.9mm
O-ring X2

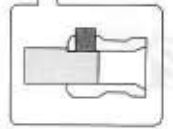
Grease

4**3**

3x10mm

387021 5x4mm
Set screw X184076 8x16mm
Ball bearing X287224 3x30mm
TP/FH screw X1**3**

Front gear box

87028
Drive pinion gear X1**1**5x4mm
screw87021
Center joint cup X187224
Front upper arm holder X1

3x30mm

87224
Front upper arm holder X187023
Gear box X1**2**

Grease

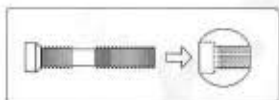
87224 4x46mm
screw X287023
Gear box X1**4**87030 3x14mm
TP/FH screw X187023 4mm
Nylon nut X2**4**

Front gear box

87029
Front alu. Suspension plate X1

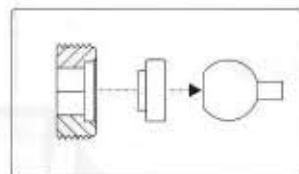
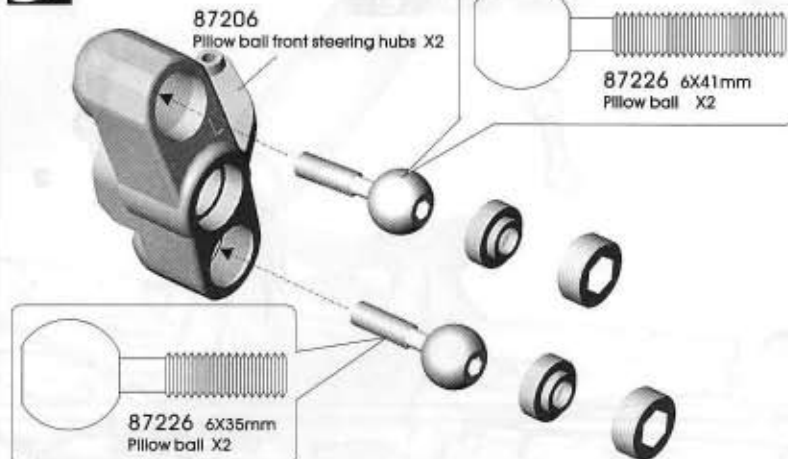
3x14mm

87030
Front suspension holder X187023 4x62.5mm
screw X2

5

87209 15mm
Pillow ball nut X4

87208
Pillow ball rear hubs X4

5**Pillow ball installation** **R****6**

87090 5X12mm
Set screws X2

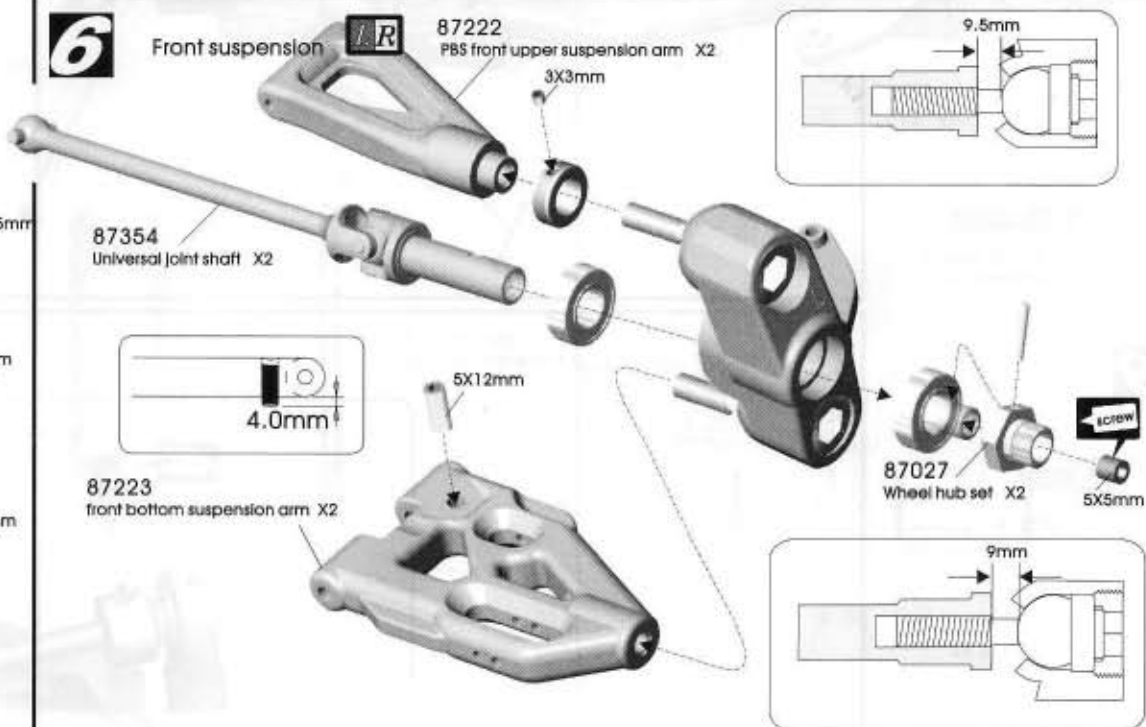
87222 9.15x15x5mm
Collar X2

84076 6X16mm
Ball bearing X4

87027 2.5X16.8mm
Shaft X2

87222 3X3mm
Set screws X2

87027 5X5mm
Set screws X2

6**Front suspension** **R****7****7****Front shock tower** **R**

87521
Front shock tower X1

87033 3mm
E-clips X4

87034 2.3mm
E-clips X2

87222 3X3mm
Set screws X2

87224-1
3X53.2mm
Shaft X2

2.3mm

87033 4X65.3mm
Shaft X2

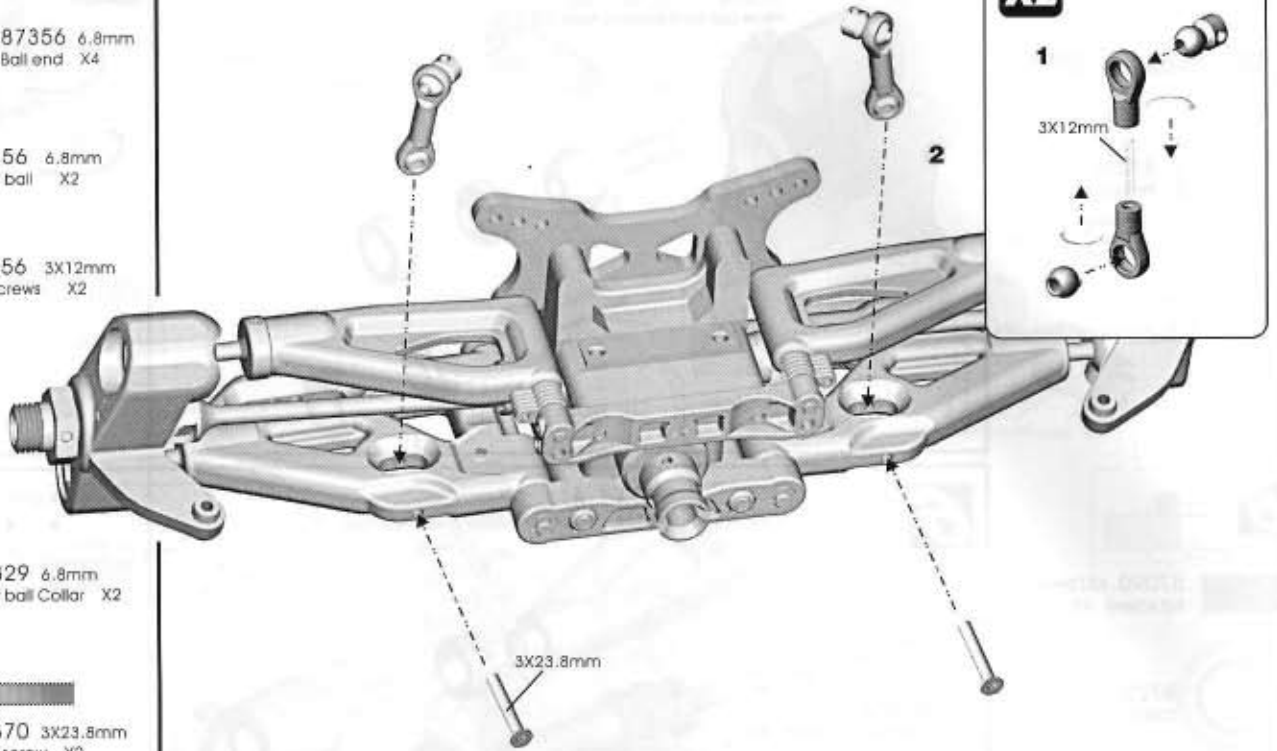
3mm

3X3mm
screw

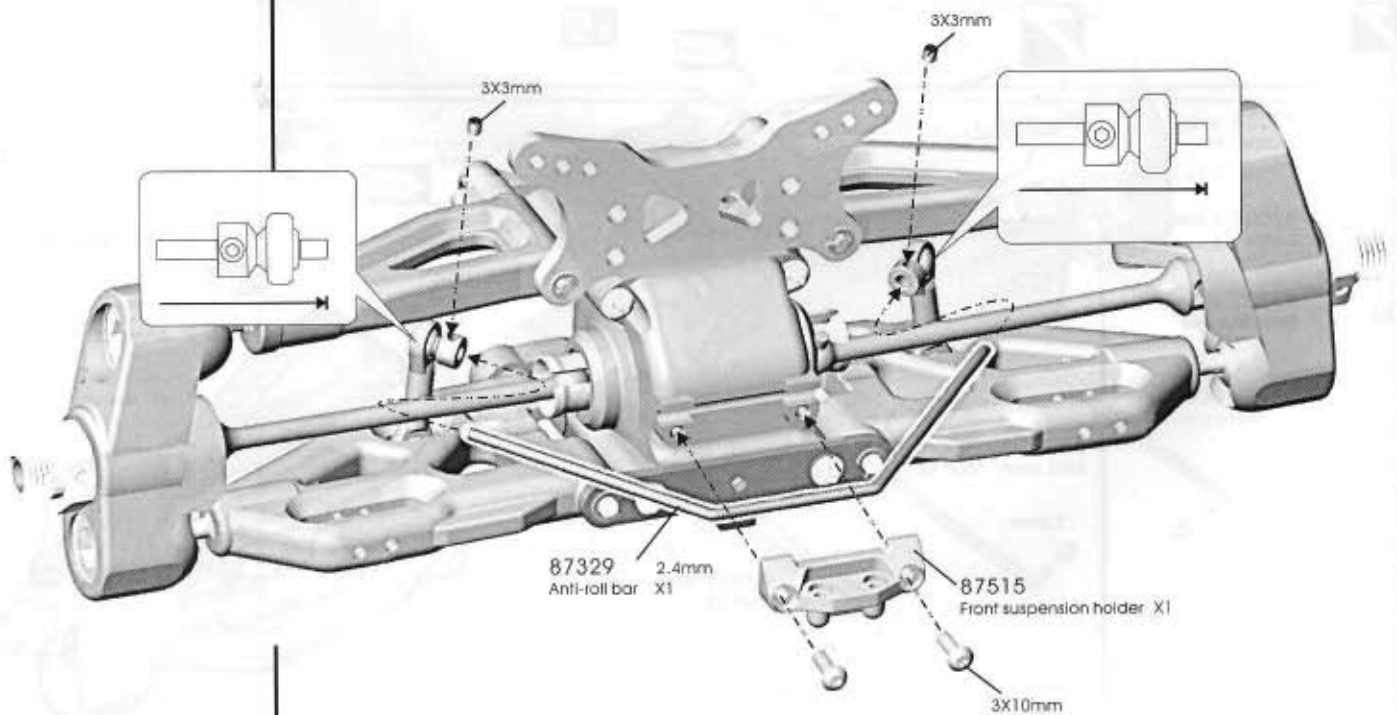
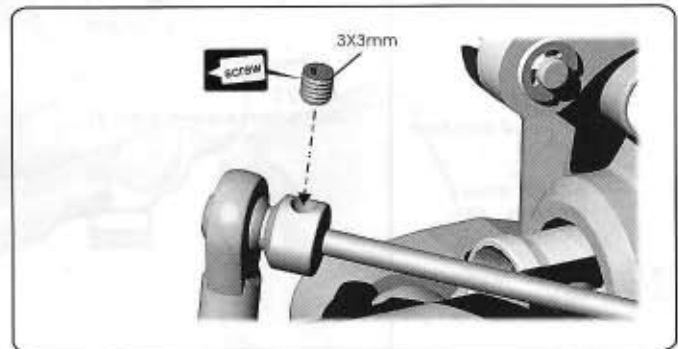
3X3mm
screw

87222 3mm X2

87222 4mm X2

8**8**Front anti roll bar **X2****3**
1
2**9****9**

Front anti roll bar



10

87398
C-clips X4

87398
Shock collar X8

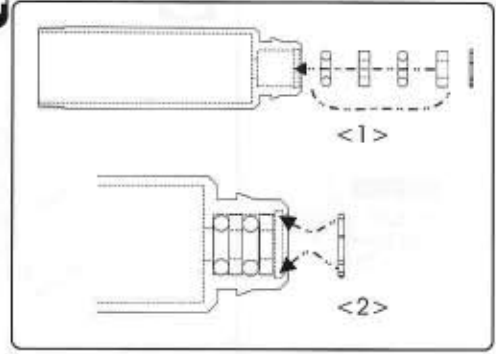
87398 3.5X2mm
O-ring X8

10

Shock absorber Installation

X4

87123
Shock body X4

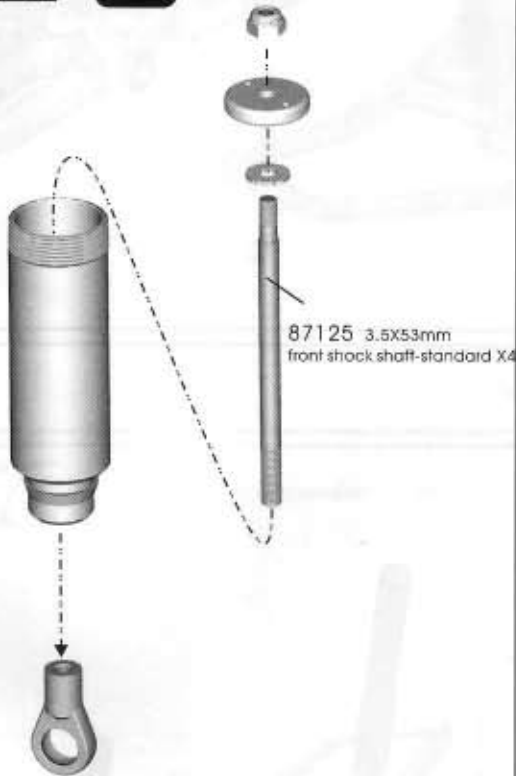
**11**

87398 2.6x6.5X0.6mm
washer X4

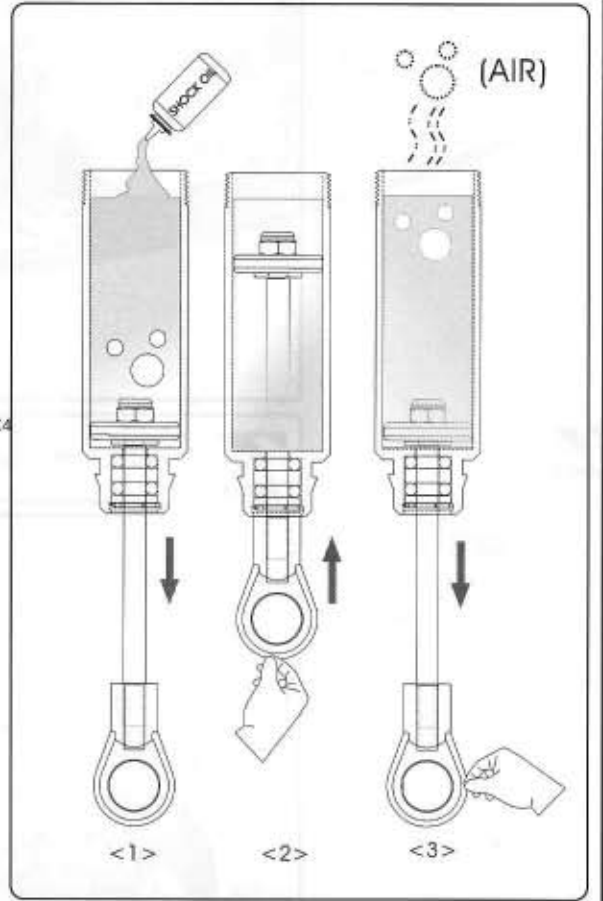
87014
Shock piston X4

87397
Shock ball end X4

87370 2.6mm
Nylon nut X4

11 **X4**

87125 3.5X53mm
front shock shaft-standard X4



(AIR)

12

87397
Shock spring cap X4



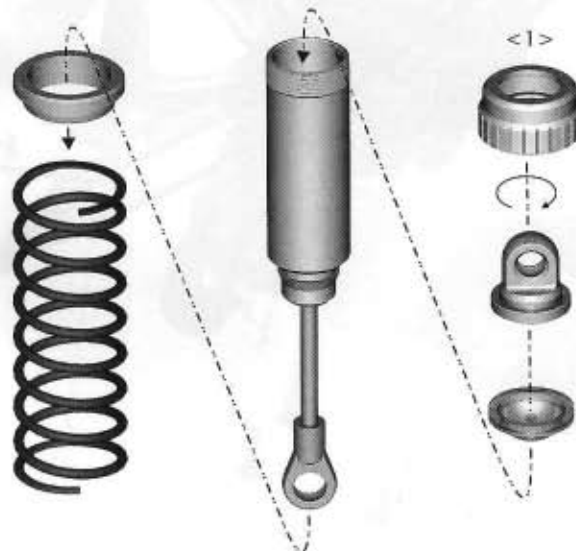
87015
Oil seal X4

87007C
Shock cap X4

87397
Shock ball head X4



87397
Shock spring supporter X4

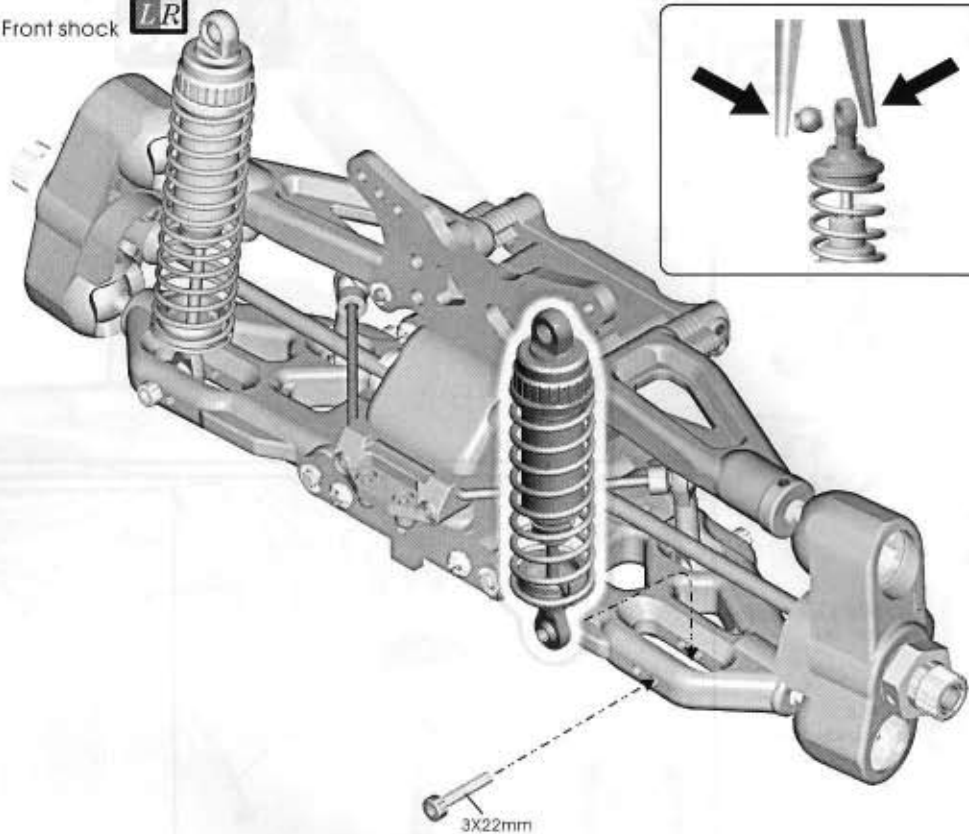
12 Shock spring**X4**

<1>

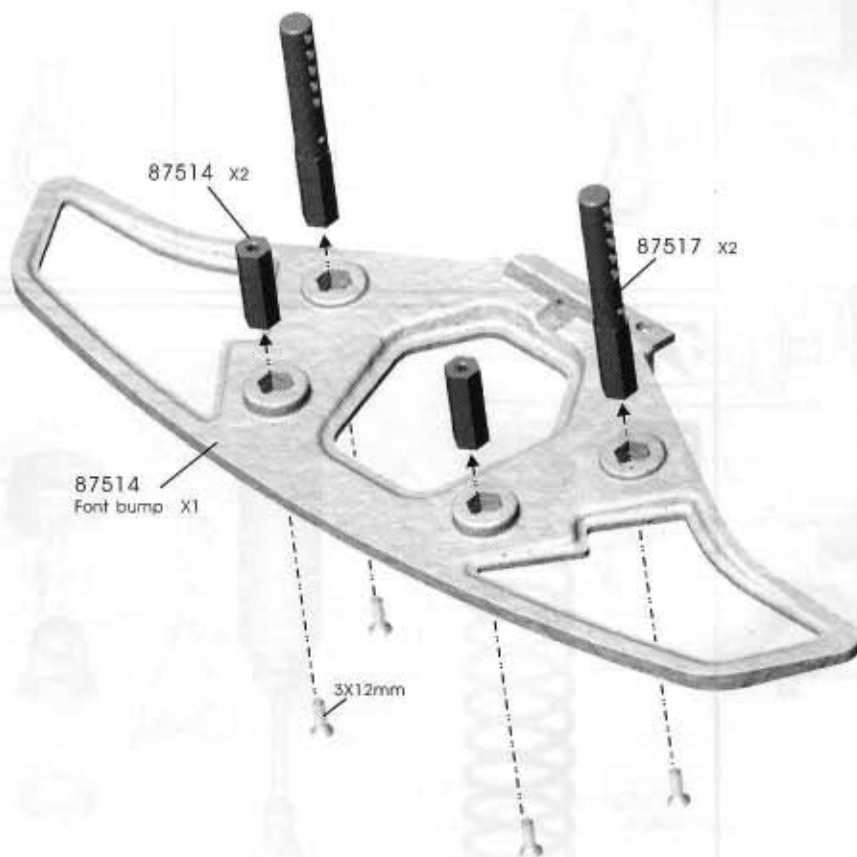
<2>

87397
Plastic shock parts X4

87530
Shock spring X4

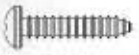
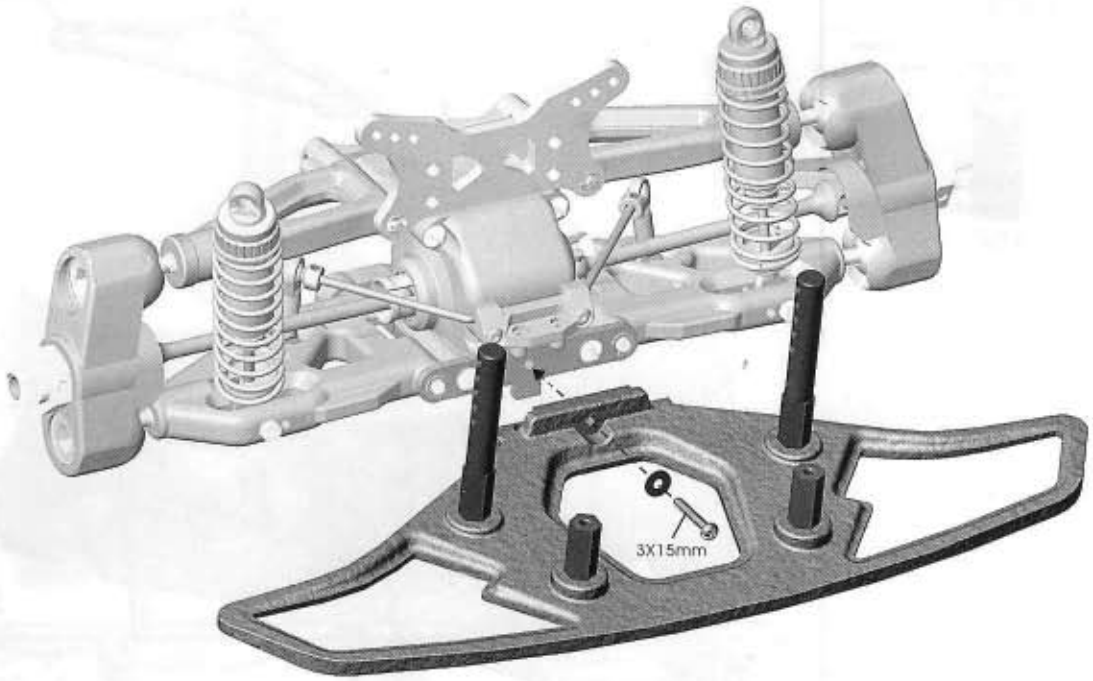
1387016 6.8mm
Ball X287533 3X22mm
Cap screws X2**13**Front shock **LR****14**87514 3X12mm
TP/FH screws X4**14**

Front bumper post

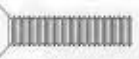
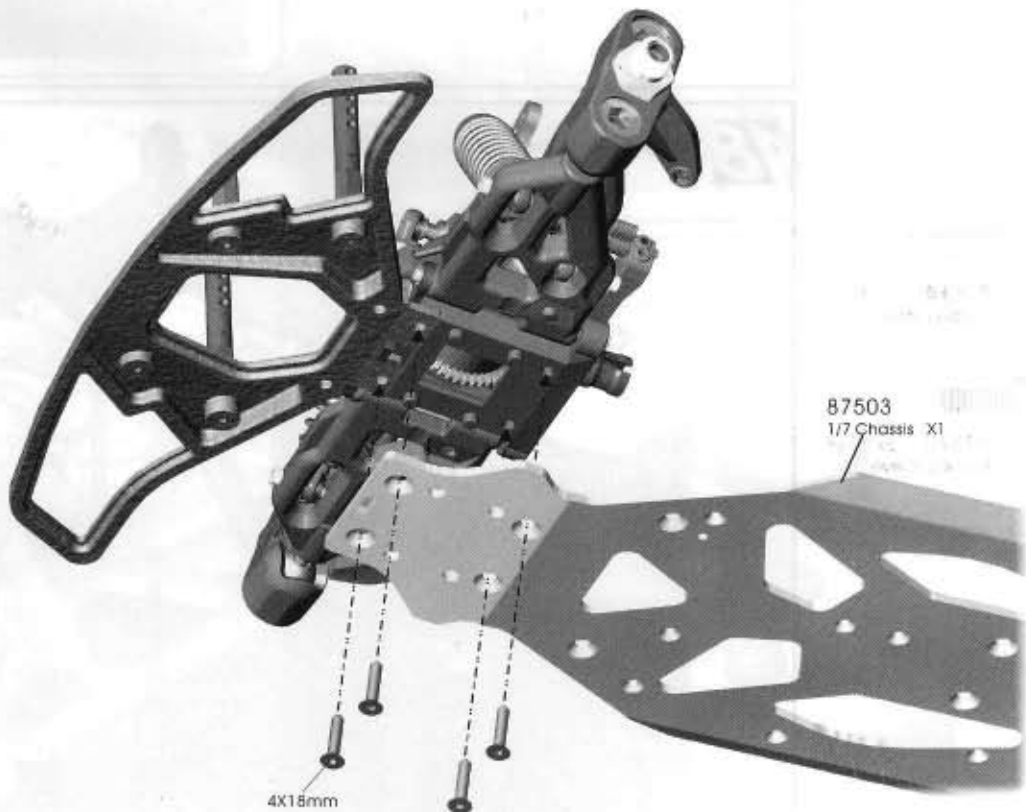


15**15**

Front bumper set

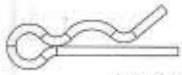
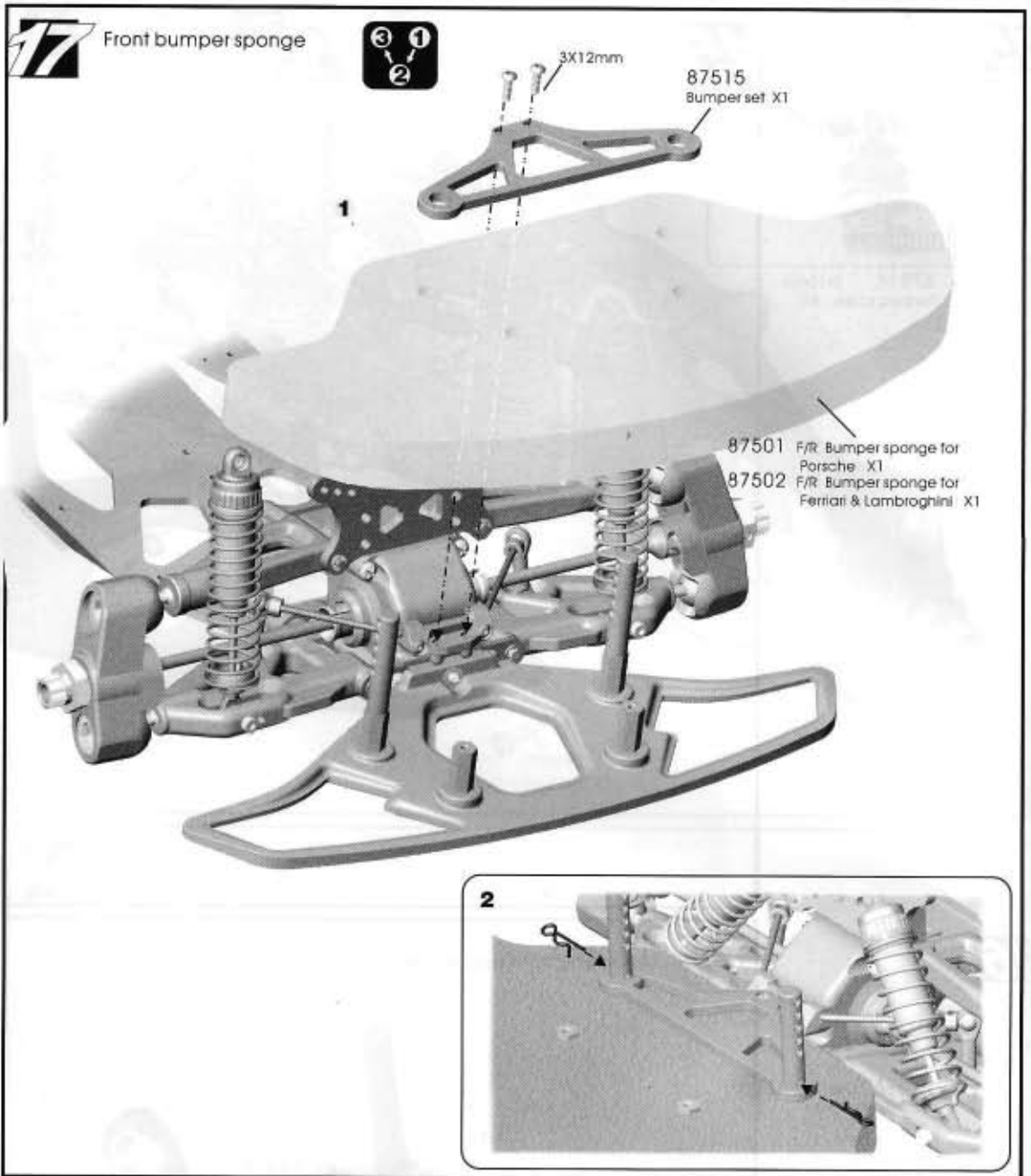
87514 3x8x0.5mm
Washer X187514 3x15mm
Tapping screw X1**16****16**

Attaching front suspension

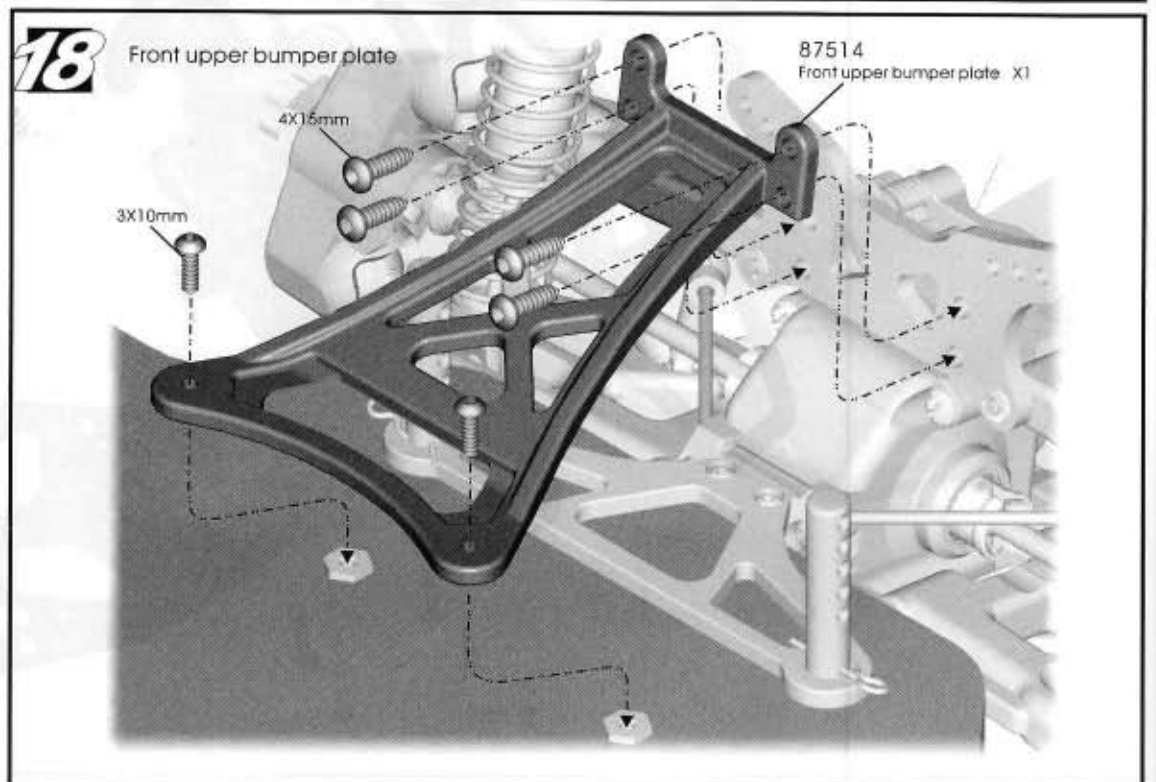
87068 4x18mm
TP/FH screws X4

17**17**

Front bumper sponge

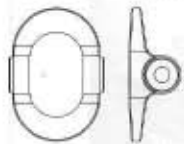
③ ①
②87515 3X12mm
Tapping screws X284134
Snap pin X2**18****18**

Front upper bumper plate

87514 4X15mm
Tapping screws X487370 3X10mm
Tapping screws X2

19

87517 2X12mm
Tapping screws X2



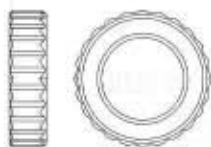
87517
Front body gasket X2

20

87031
Steel shock ball X2



87533 3X16mm
Cap screws X2

21

87062
Steel nut X1

87060 Δ X10mm
bushing X4



87056
Steel collar X2



87370 3mm
Nylon nut X2



87056 3X9mm
washer X2

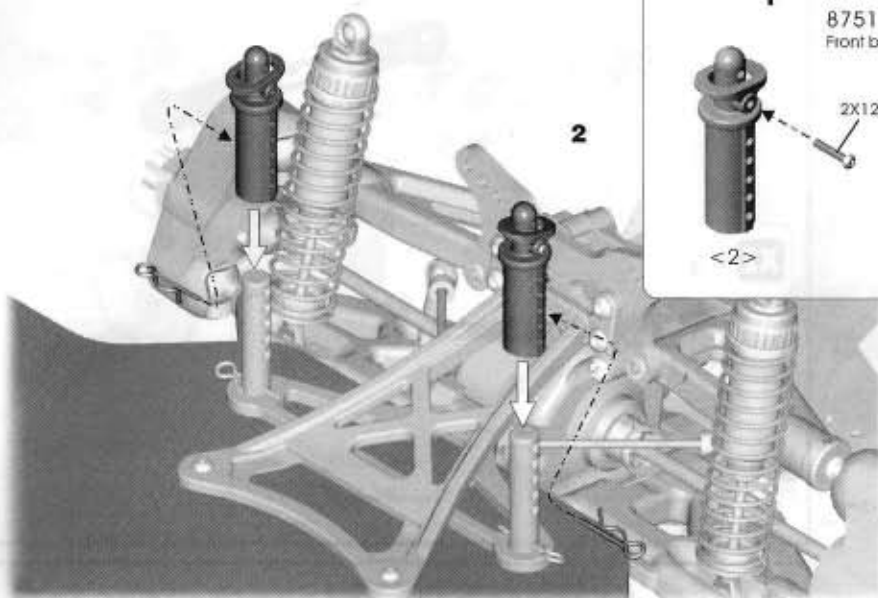


87056
Steering pin X2

**19**

Front body shell post

3
1
2

**X2**

1

87517
Front body post X2

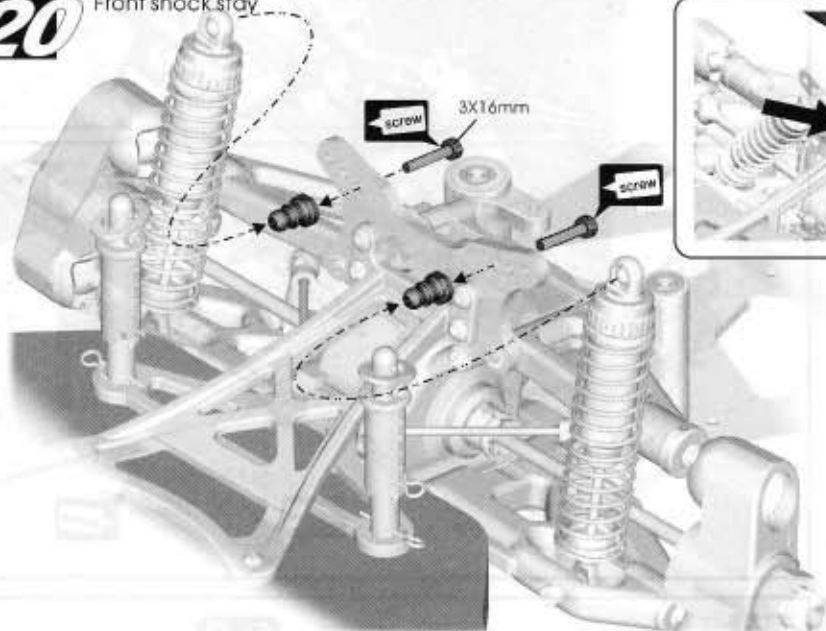
2X12mm

<2>

<1>

20

Front shock stay

**21**

Steering arms

3
1
2



87057

Servo saver arm X1

87062

Alu steel pipe X1

87057

Servo saver arm X1

87057

Servo saver arm X1

87062

steel spring X1

87059

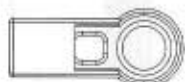
Steel shaft X2

2

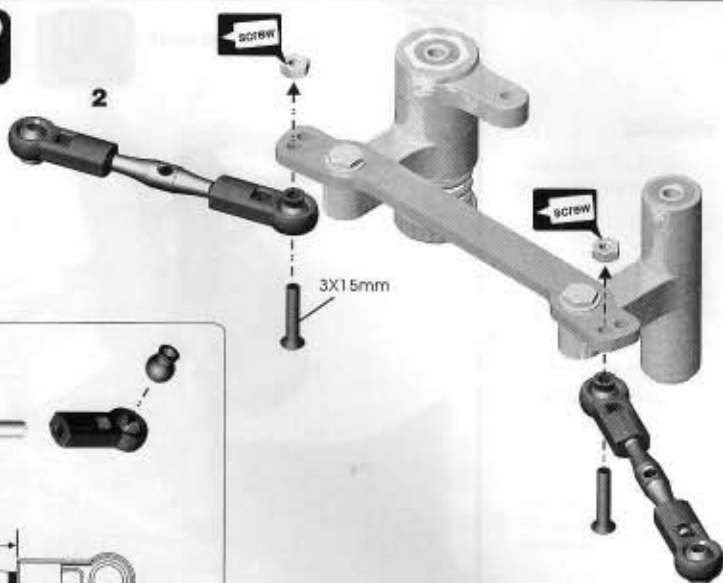


87058

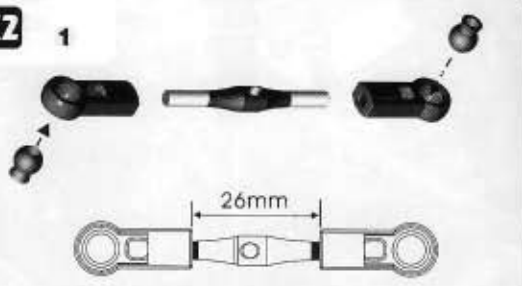
Steering plate X1

2287055
Steering bal X487533 3mm
Nur X287055
Steering ball end X487536 4X40mm
Tumbuckle X287370 3X15mm
F/H screws X2**22**

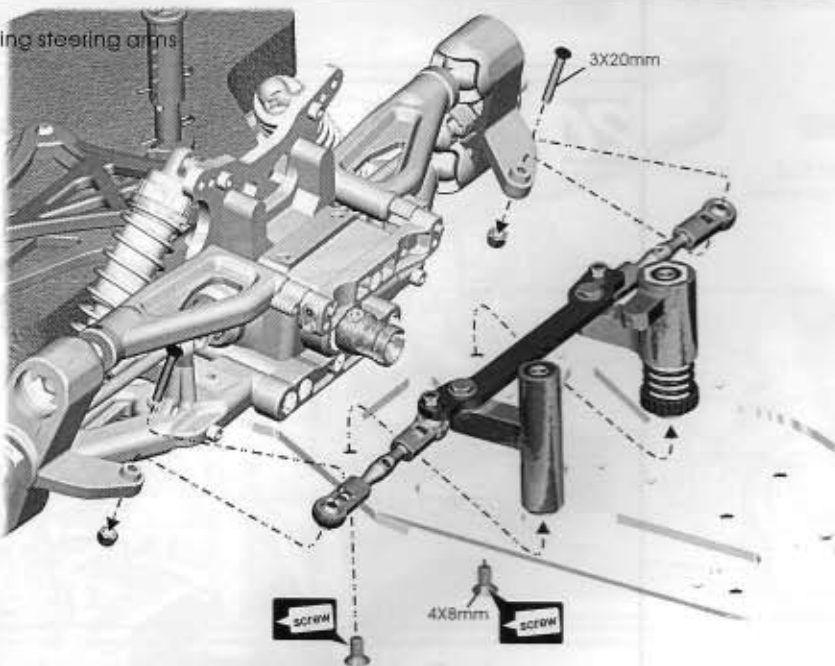
Steering arms

**X2**

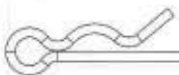
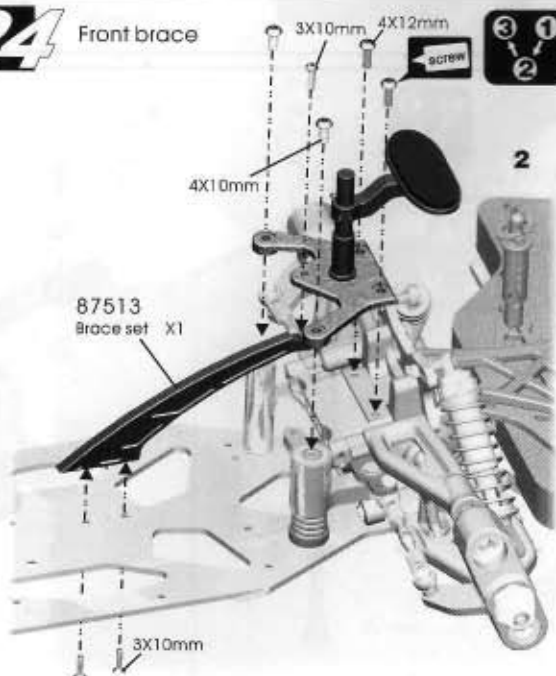
1

**23****23**

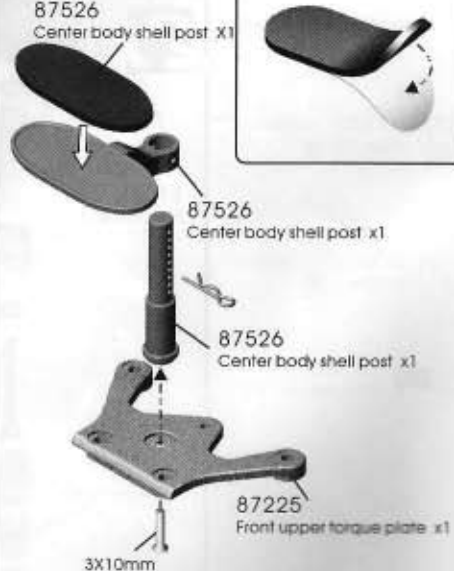
Attaching steering arms

87069 4X8mm
F/H screws X287533 3X20mm
F/H screws X287370 3mm
Nylon nut X2**24****24**

Front brace

87526 3X10mm
F/H screw X187526
Snap pin x187533 4X12mm
F/H screws X287069 4X10mm
F/H screw X287533 3X10mm
Tapping screw X187513 3X10mm
TP/FH screws X2

1

87526
Center body shell post x187526
Center body shell post x187526
Center body shell post x187225
Front upper torque plate x1

3X10mm

25



87021 5X4mm
Set screw X1



84076 8X16mm
Ball bearing X2



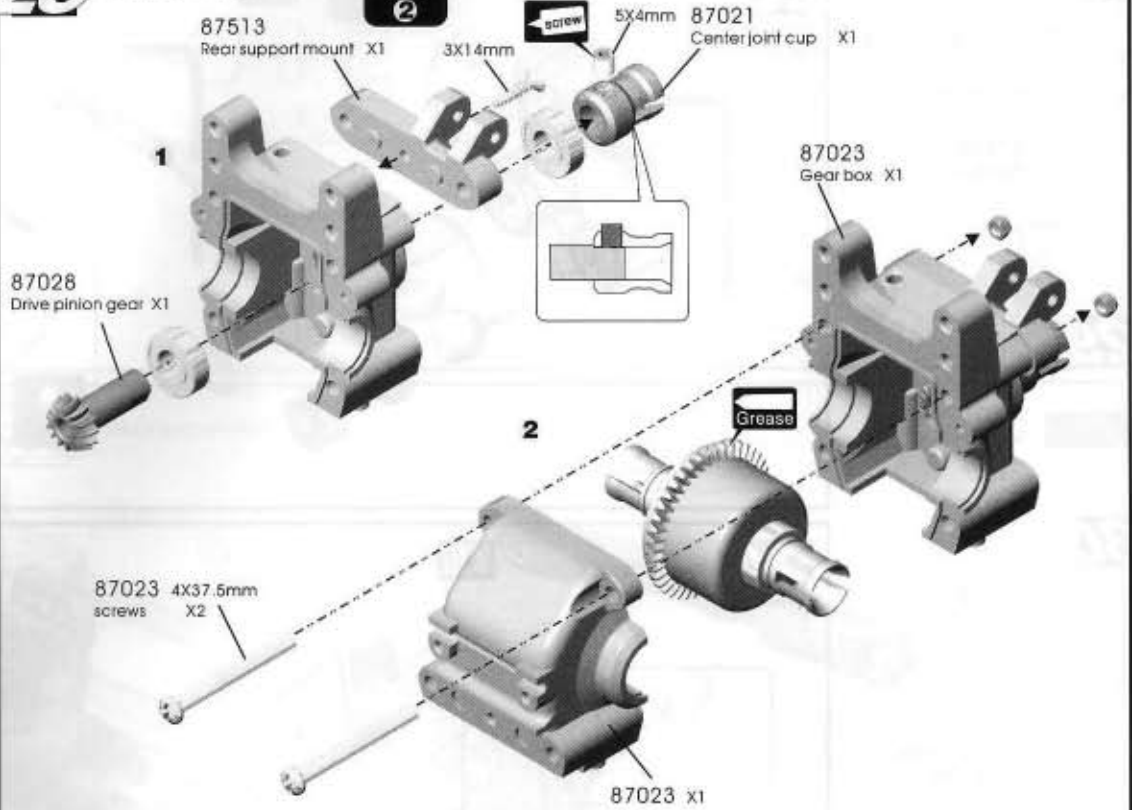
87513 3X14mm
TP/FH screw X1



87030 4mm
Nylon nut X2

25

Rear gear box



26



87030 4mm
Nylon nut X2



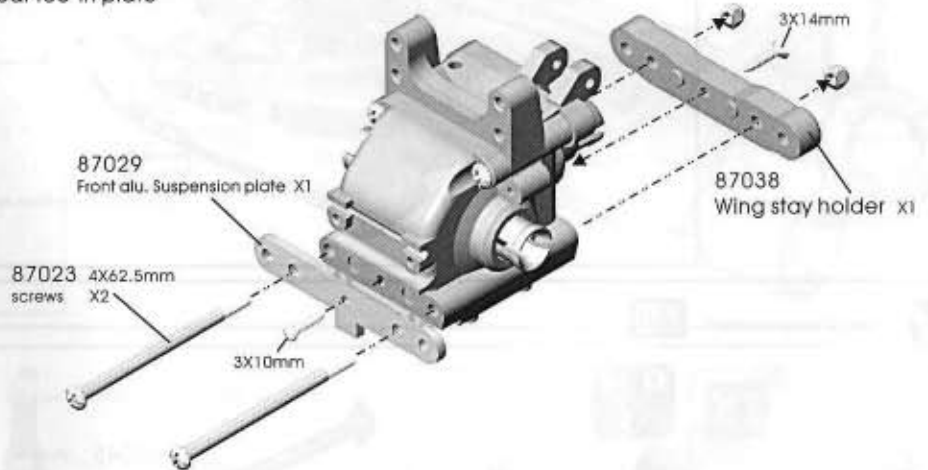
87030 3X14mm
TP/FH screw X1



87370 3X10mm
Tapping screws X1

26

Rear toe-in plate



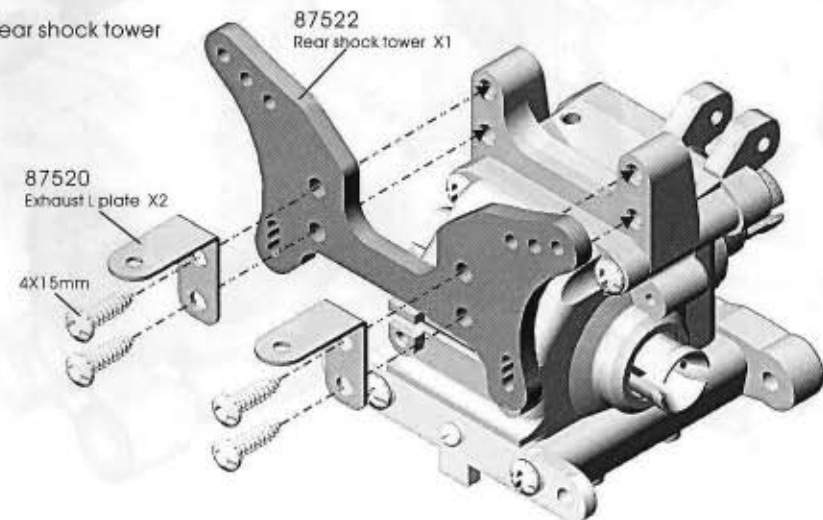
27



87370 4X15mm
Tapping screws X4

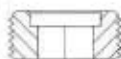
27

Rear shock tower



28

87208
Pivot ball collar X4



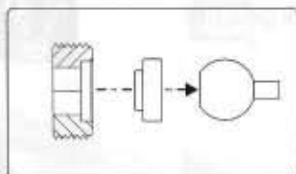
87209
Pillow ball nut X4

29

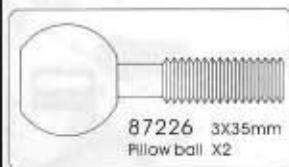
87090 5X12mm
Set screws X2

28

Rear axles

LR

87226 6X35mm
Pillow ball X4



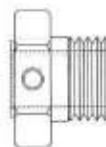
87226 3X35mm
Pillow ball X2

**30**

84076 8X16mm
Ball bearing X4



87033 3mm
E-clips X4



87027
Wheel hubs X2



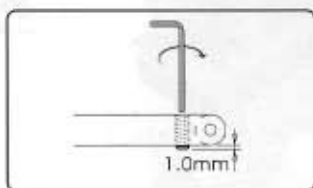
87027 2.5X16.8mm
Shaft X2



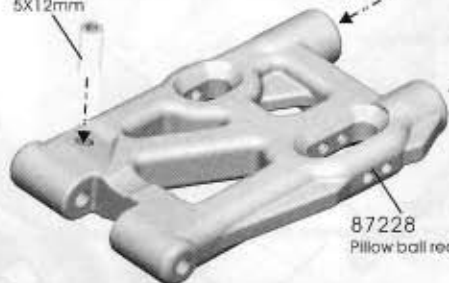
87027 5X5mm
Set screws X2

29

Rear suspension

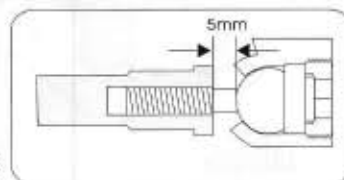
LR

5X12mm

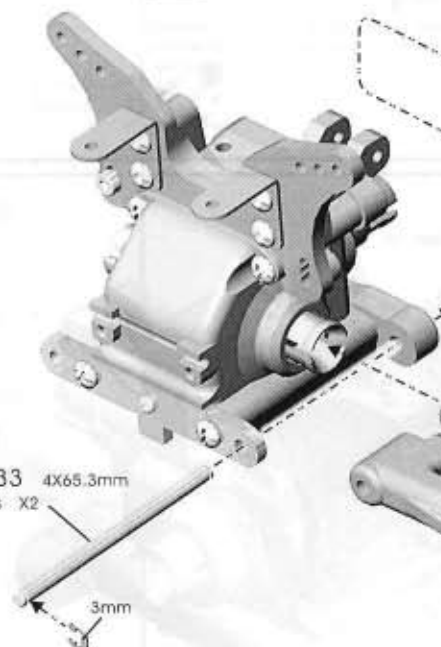


87207
Pillow ball rear hubs (R) (L) X2

87228
Pillow ball rear bottom arm X2

**30**

Rear suspension

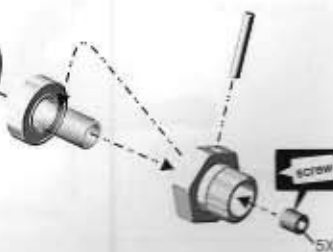
LR

87033 4X65.3mm
Shafts X2

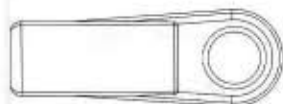
3mm

87045 99mm
Rear swing shaft X2

87037
Rear wheel shaft X2



5X5mm

31

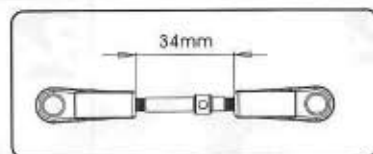
87043 7.8mm
Ball end X4

31

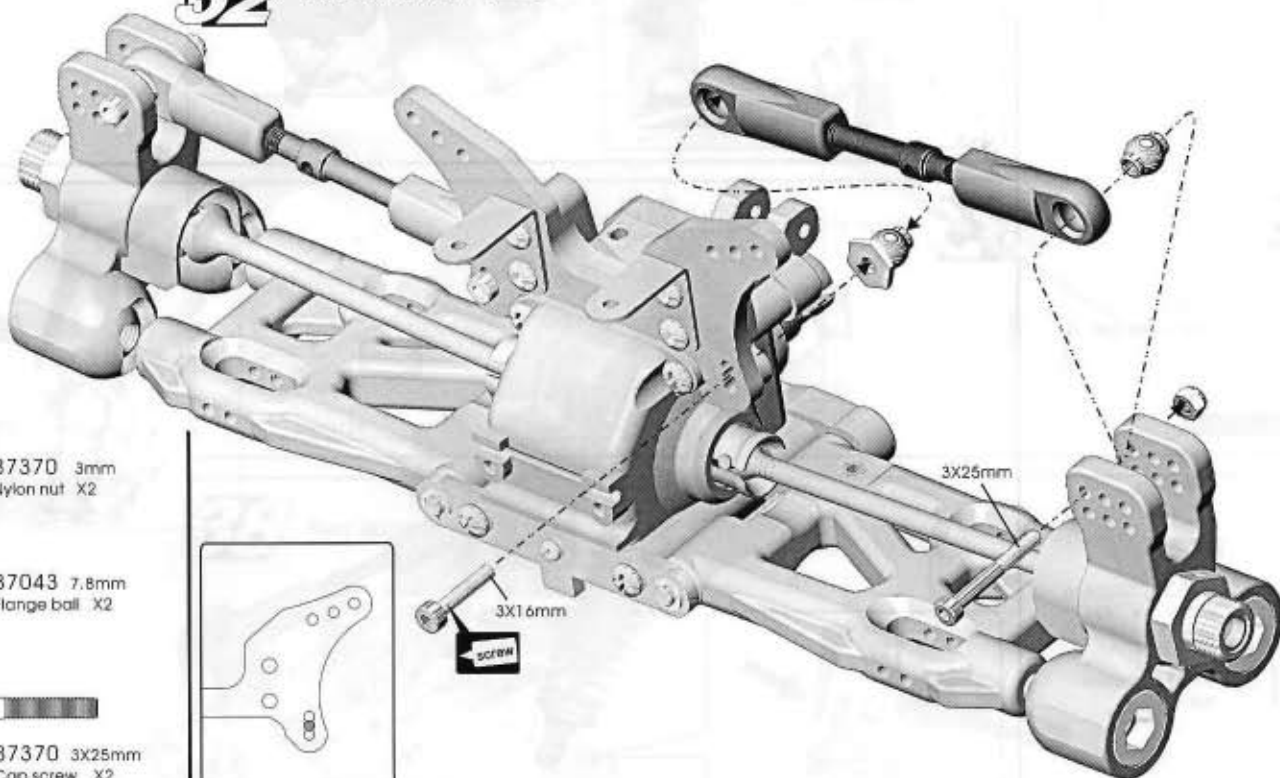
Turnbuckle X2



87042 5X65mm
Turnbuckle X2

**32**

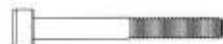
Rear suspension LR

**32**

87370 3mm
Nylon nut X2



87043 7.8mm
Flange ball X2



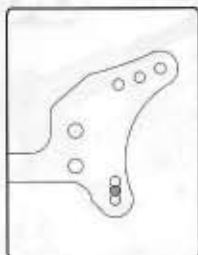
87370 3X25mm
Cap screw X2



87043 7.8mm
Ball X2



87533 3X16mm
Cap screw X2



3X16mm
SCREW

3X25mm

33**33**

Rear anti roll bar



87044 6.8mm
Ball end X4



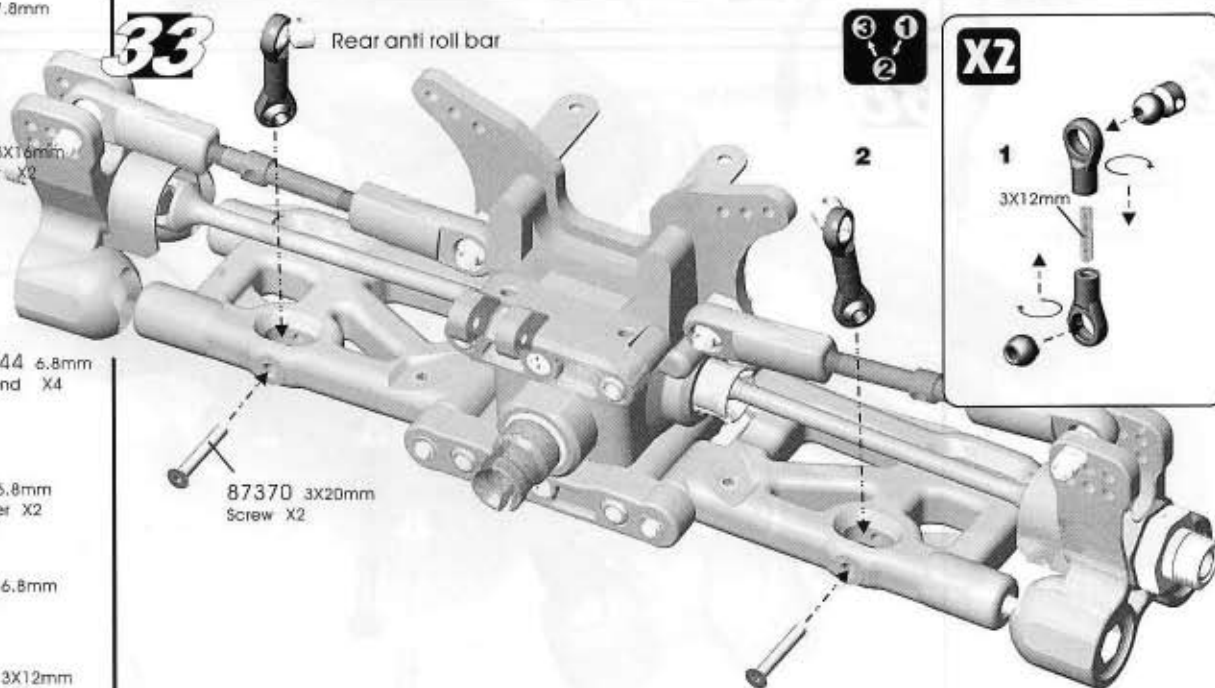
87044 6.8mm
Ball stopper X2



87044 6.8mm
Ball X2



87044 3X12mm
Set screw X2



87370 3X20mm
Screw X2



X2

1

3X12mm

2



3X12mm



3X12mm



3X12mm



3X12mm



3X12mm



3X12mm



3X12mm

34

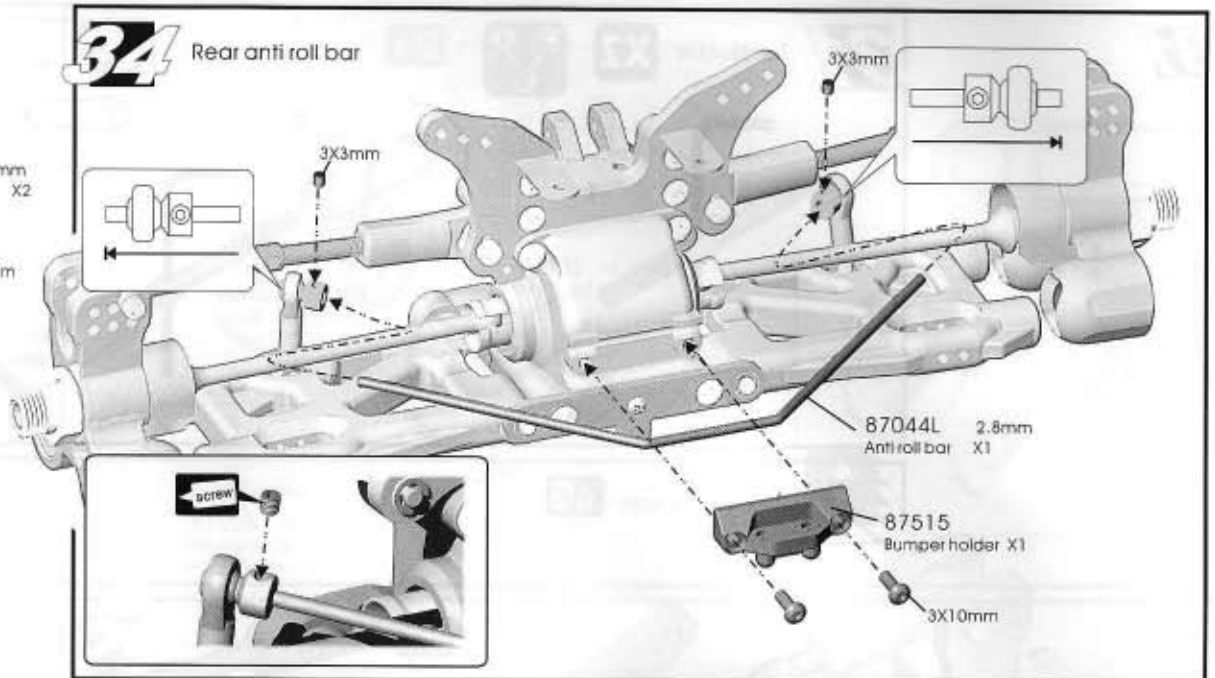
34

 Rear anti roll bar

87515 3X10mm
Tapping screw X2

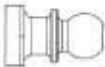


87044 3X3mm
Set screw X2



35

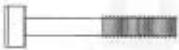
35

 Rear shock absorber **LR**

87031
Steel shock ball X2



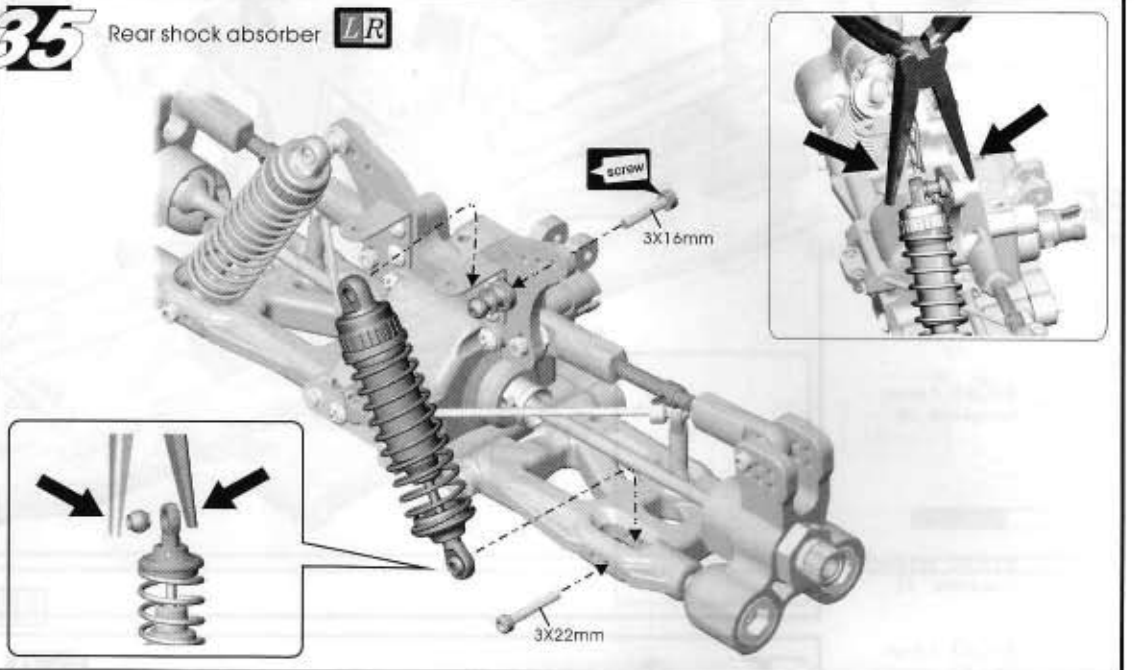
87533 3X16mm
Cap screw X2



87533 3X22mm
Cap screw X2



87016 6.8mm
Ball X2

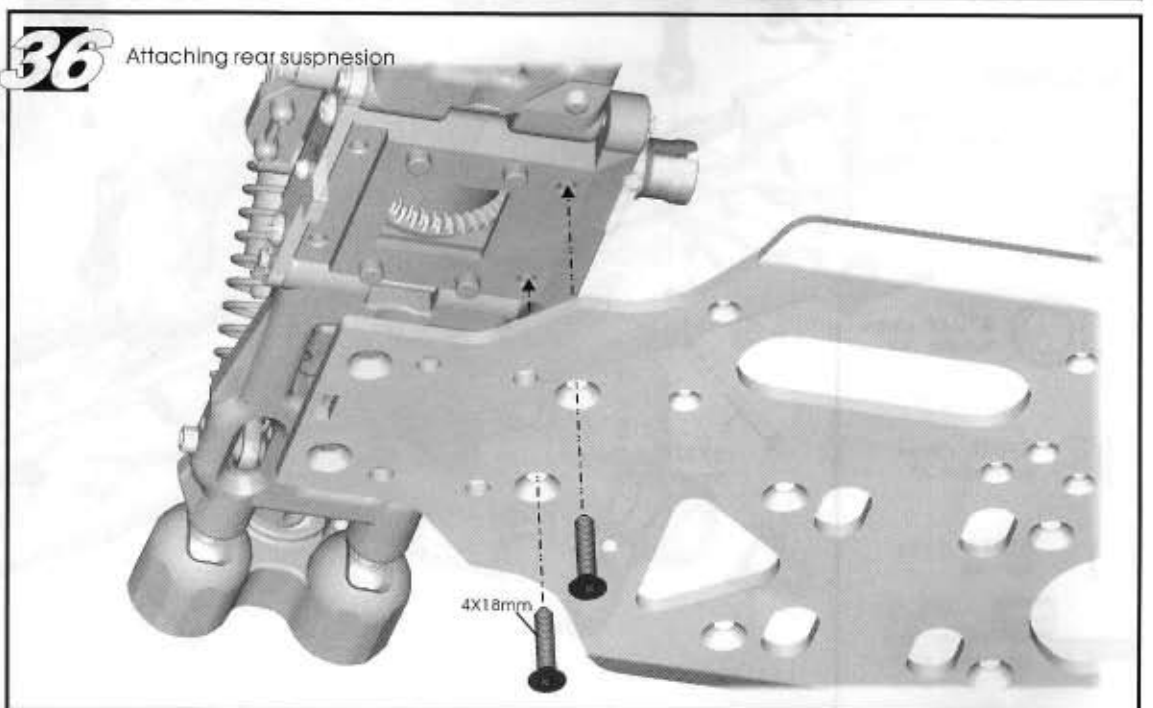


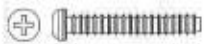
36

36

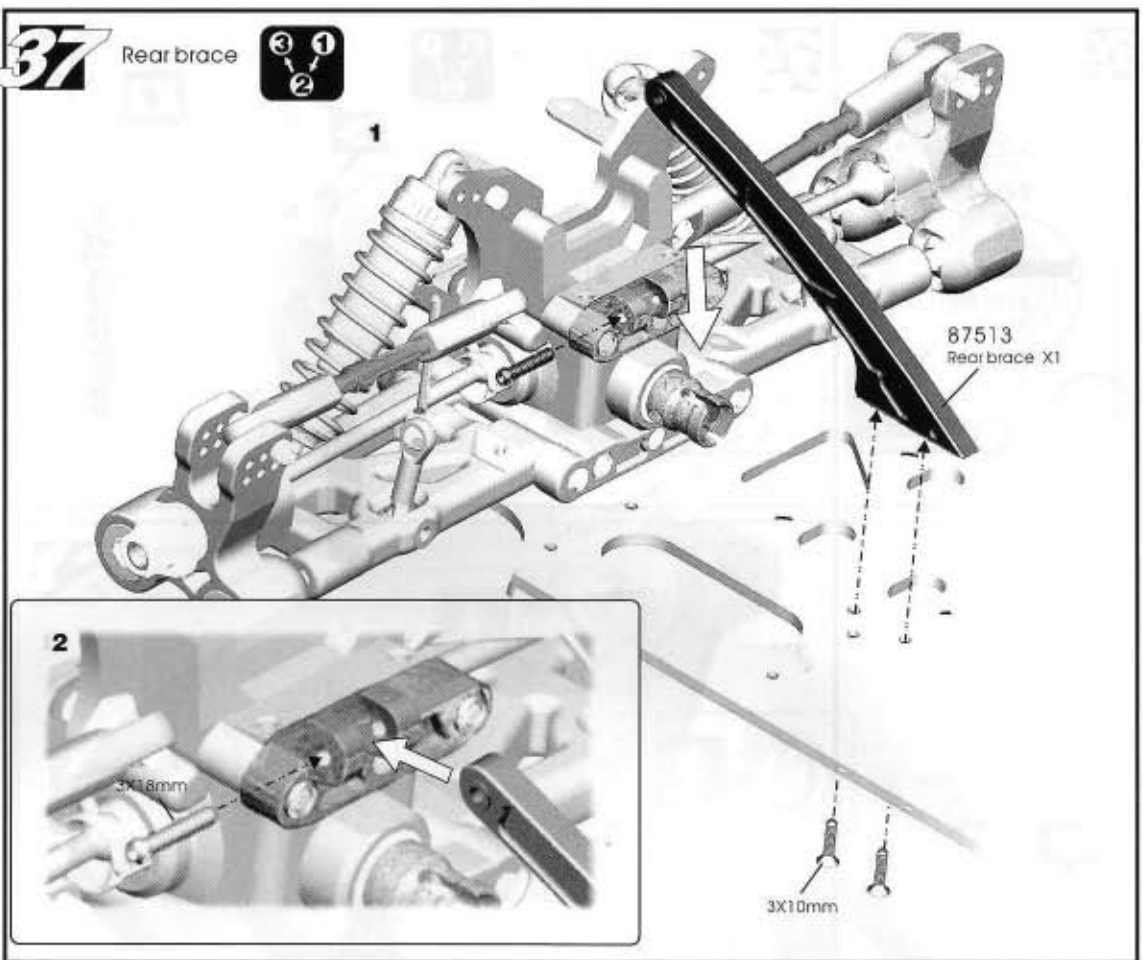
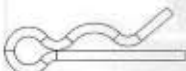
 Attaching rear suspension

87068 4X18mm
TP/FH screw X2



3787513 3X18mm
Tapping screw X187533 3X10mm
TP/FH screw X2**37**

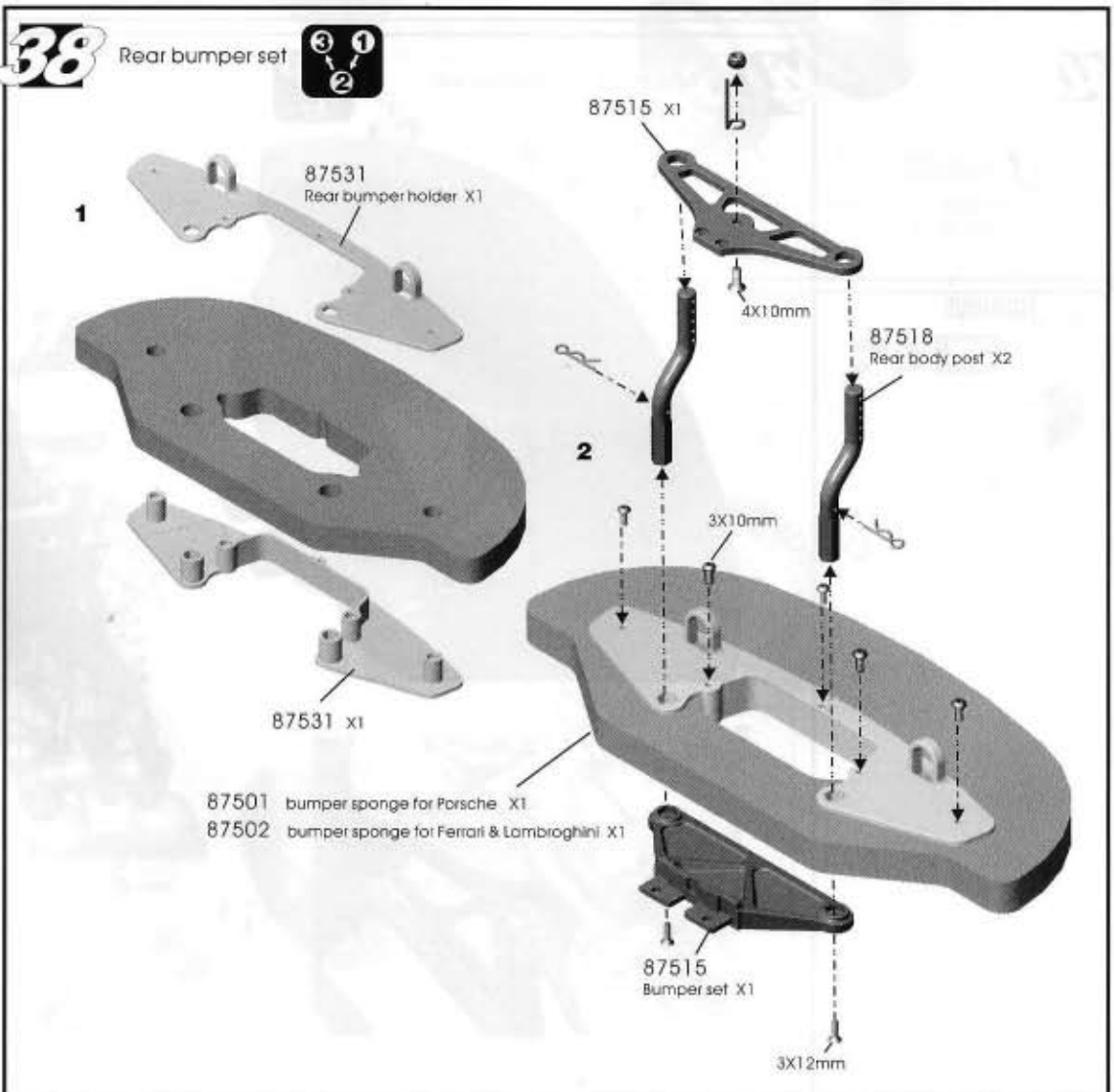
Rear brace

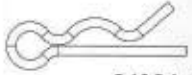
**38**87520
Tune pipe rod X187520 4mm
Nylon nut X1

84134 Snap pin X4

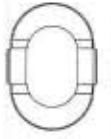
87520 4X10mm
F/H screw X187531 3X10mm
Tapping screw X587533 3X12mm
TP/FH screws X2**38**

Rear bumper set

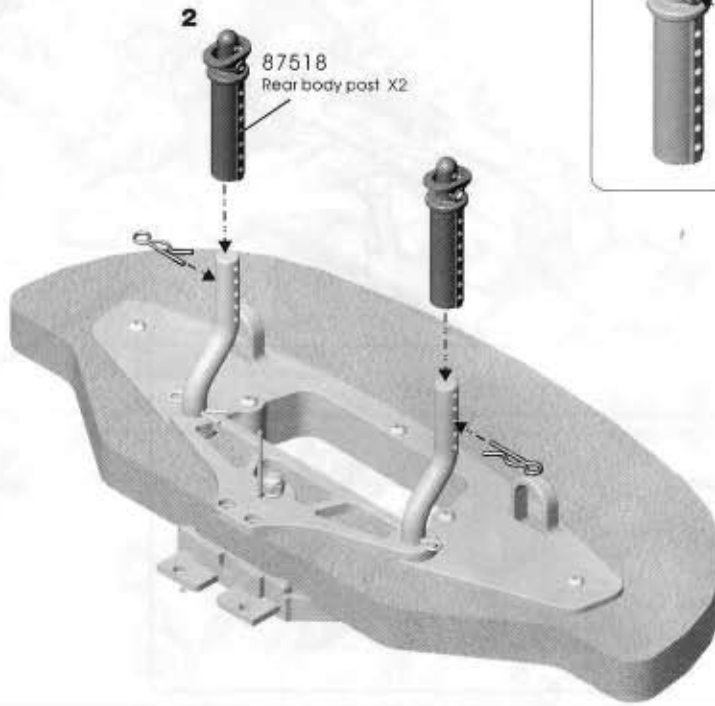


39

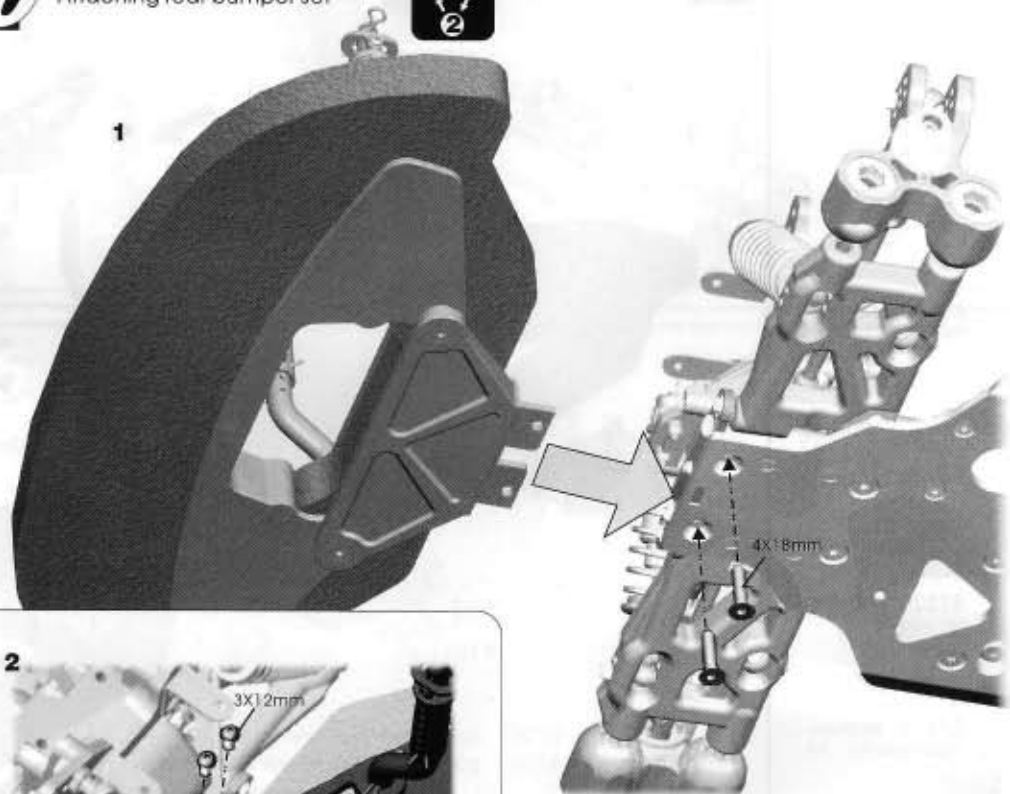
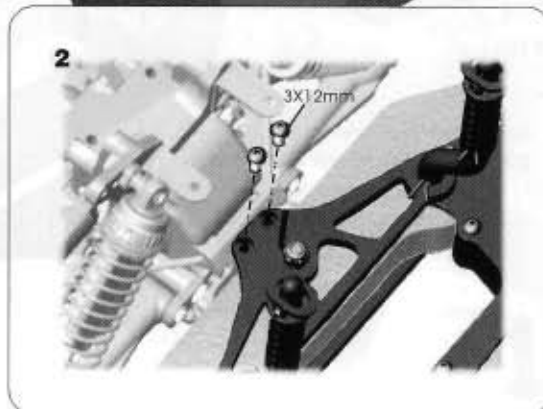
84134 Snap pin X4

87518 2X12mm
TP/FH screw X287518
body gasket X2**39**






Rear body shell post

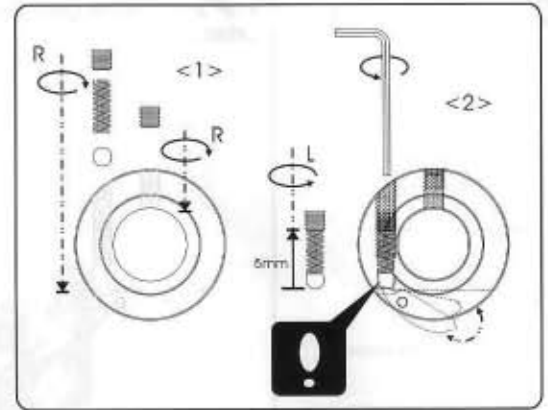
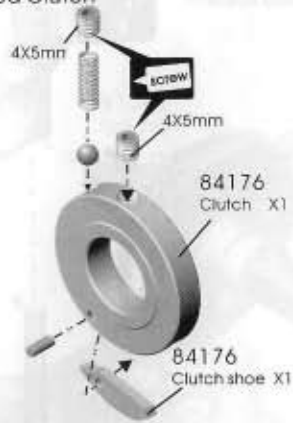
**X2****1****40**87068 4X18mm
TP/FH screw X287515 3X12mm
Tapping screw X2**40**




Attaching rear bumper set

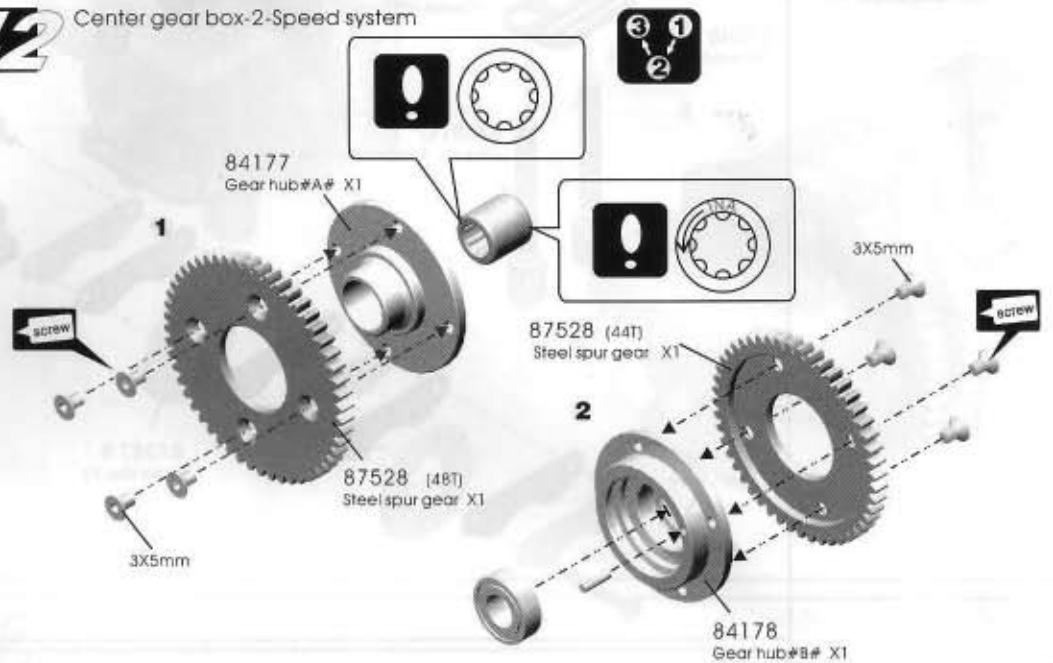
**2**



41

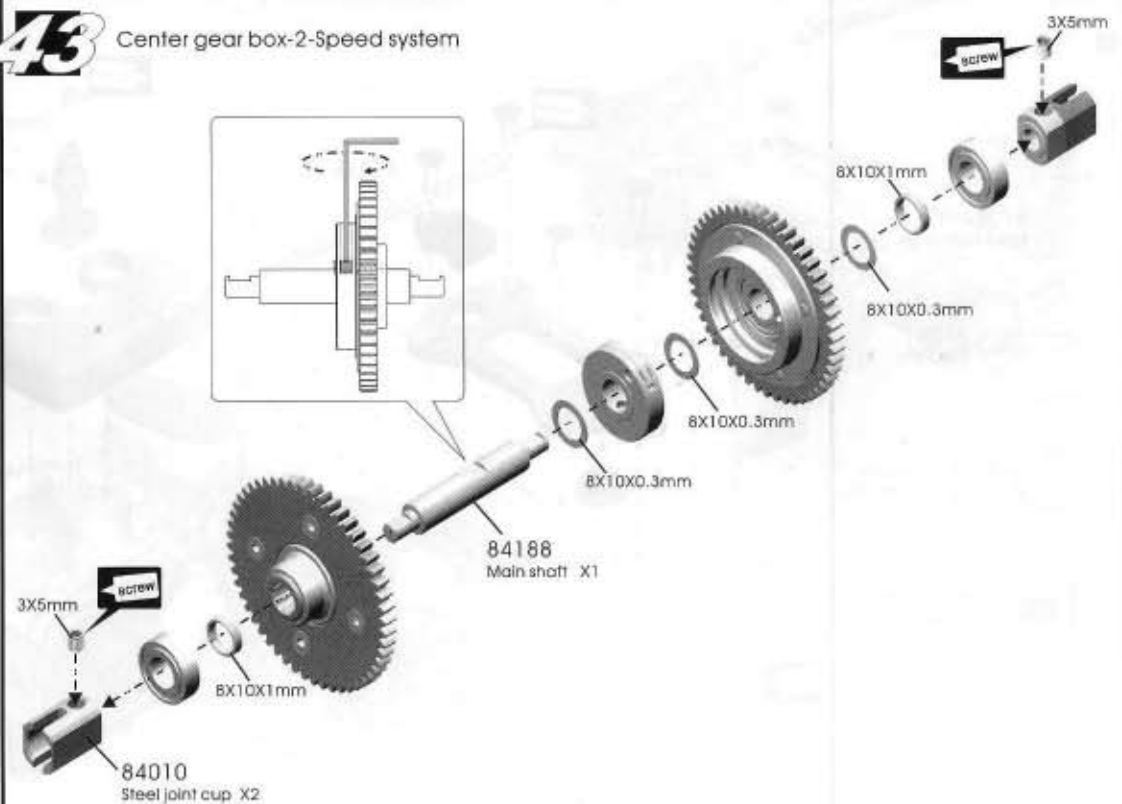
-  84176 3mm
Steel ball X1
-  84176 0.3X15mm
Clutch spring X1
-  84176 4X4mm
Set screw X2
-  84176 4X6mm
Set screw X2
-  84176 2.5X5.5mm
Pin X1

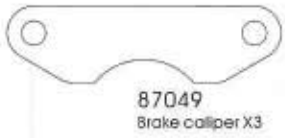
41**2-Speed Clutch****42**

-  84177 8X12X12mm
One way bearing X1
-  84177 3X5mm
F/H screw X8
-  84076 8X16mm
Bearing X1

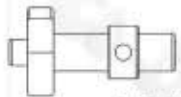
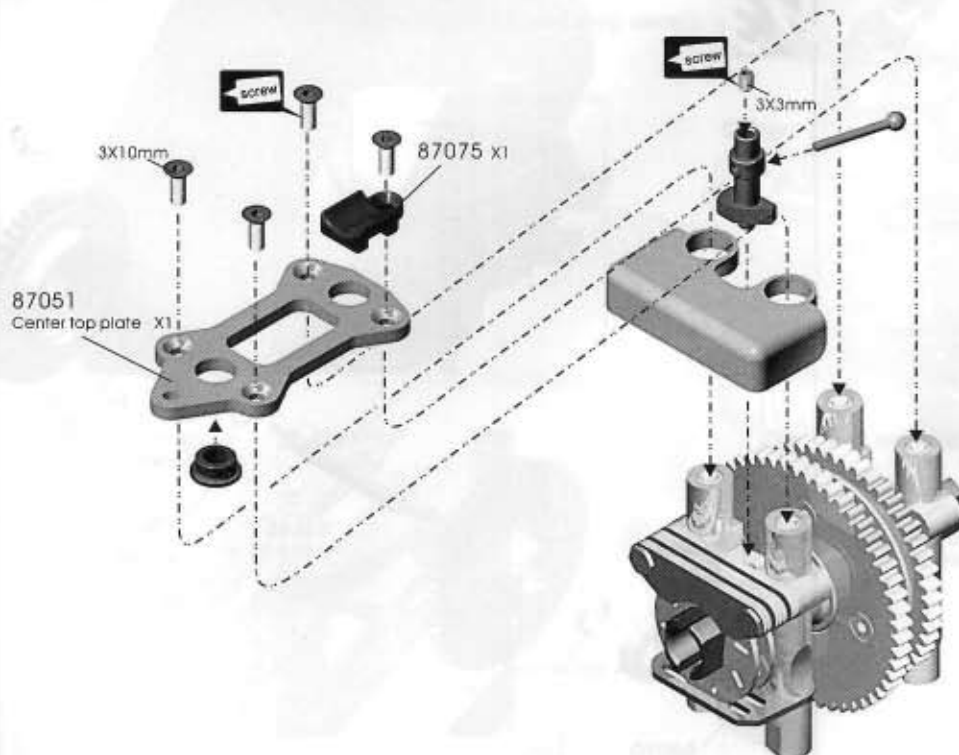
42**Center gear box-2-Speed system****43**

-  84176 8X10X1mm
Washer X2
-  84076 8X16mm
Bearing X2
-  84176 2X8mm
Pin X1
-  84176 8X12X0.3mm
Washer X3
-  84010 5X5mm
Set screw X2

43**Center gear box-2-Speed system**

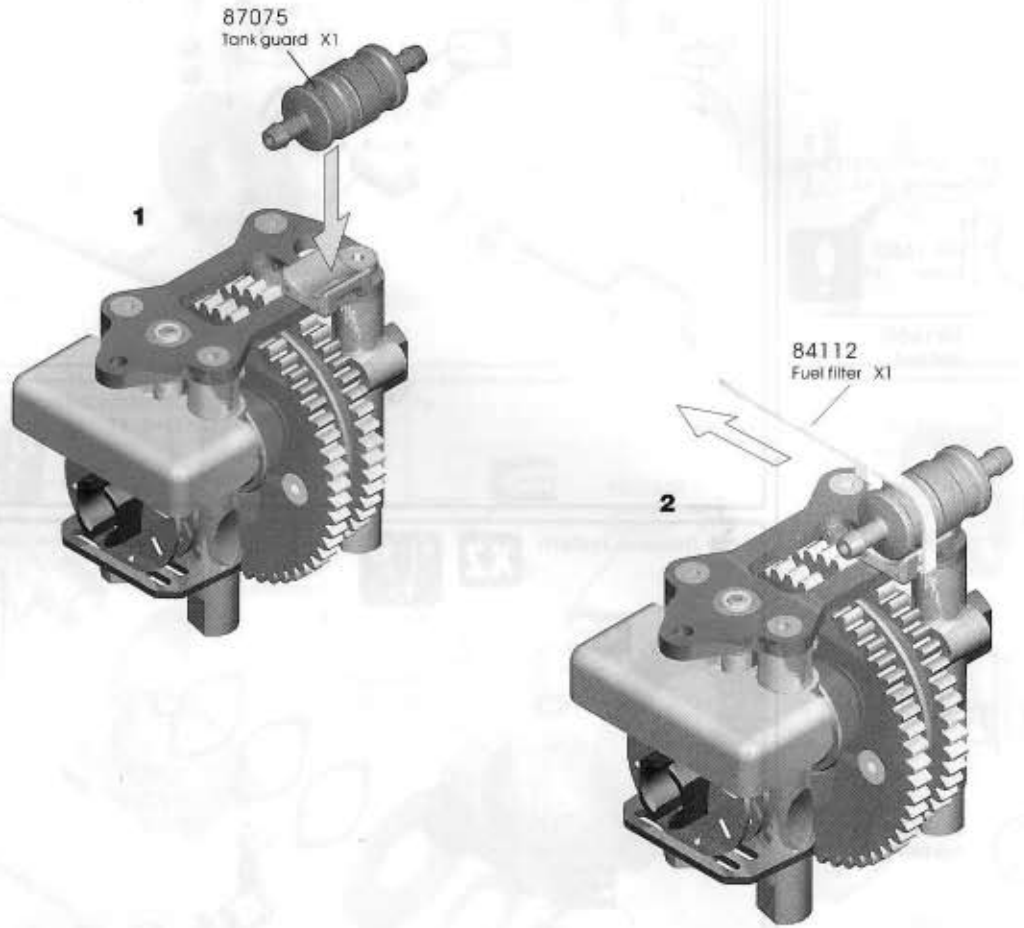
44**44** Center gear box-2-Speed system3 1
287048
Consolidate plate X187048
Center diff housing X287387C
Long alu. Bottom post X4

3X19mm

87387 B
Brake disc X2**45****45** Center gear box87054 3X3mm
Set screw X187054
Brake cam-short X187351
Brake rod X187051 Plastic
flange bushing X187533 3X8mm
F/H screw X4

46

46 Fuel filter

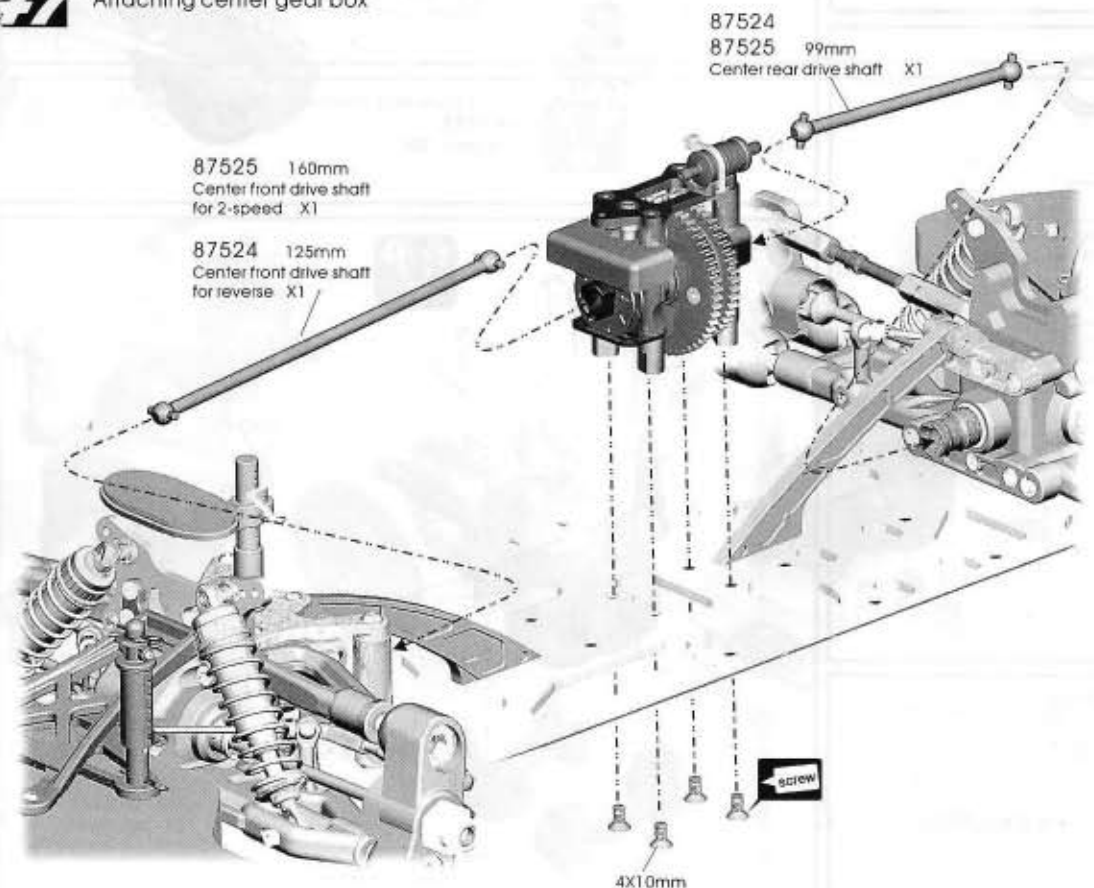


47

47 Attaching center gear box



87533 4X10mm
TP/FH screw X4



REVERSE OPTION-PART I

REVERSE WITH 2-SPEED SYSTEM



HR-168A 12X21X5mm
Ball bearing X2



HR-168D Collar X1



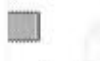
HR168D Mallend X1



HR168D 3x6mm F/H Screw X1



HR168D 5mm E-clips X1



HR168D 4x4mm Set screw X1



HR168A Axle cover X1



HR168A 6X10X3mm Ball bearing X2



HR168A Bearing washer X1



HR168B 5X8X2.5mm Bearing X4



HR168B Side axle X2



HR168F 3X5X2mm Washer X2



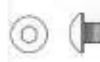
HR168B 5X8X0.25mm Washer X2



HR168F 3X10mm F/H screw X2

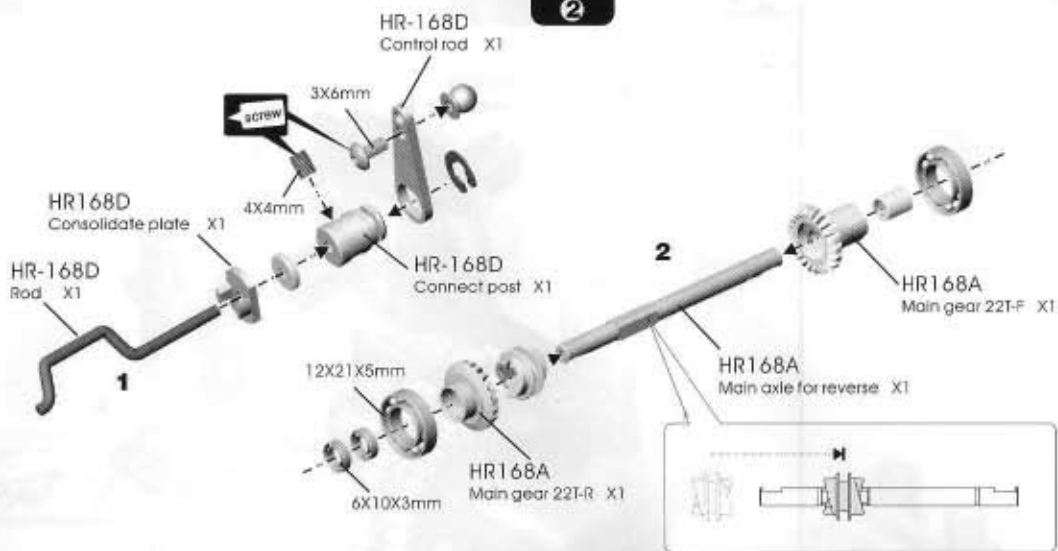


HR168A 6X10X3mm Bearing X1

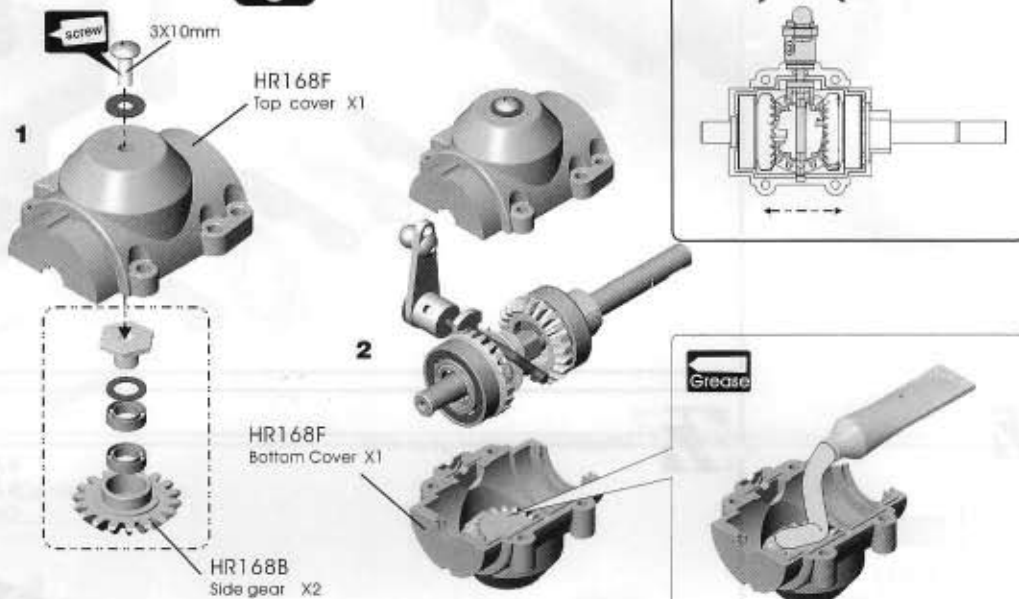


HR168F 3x20mm Tapping screw X6

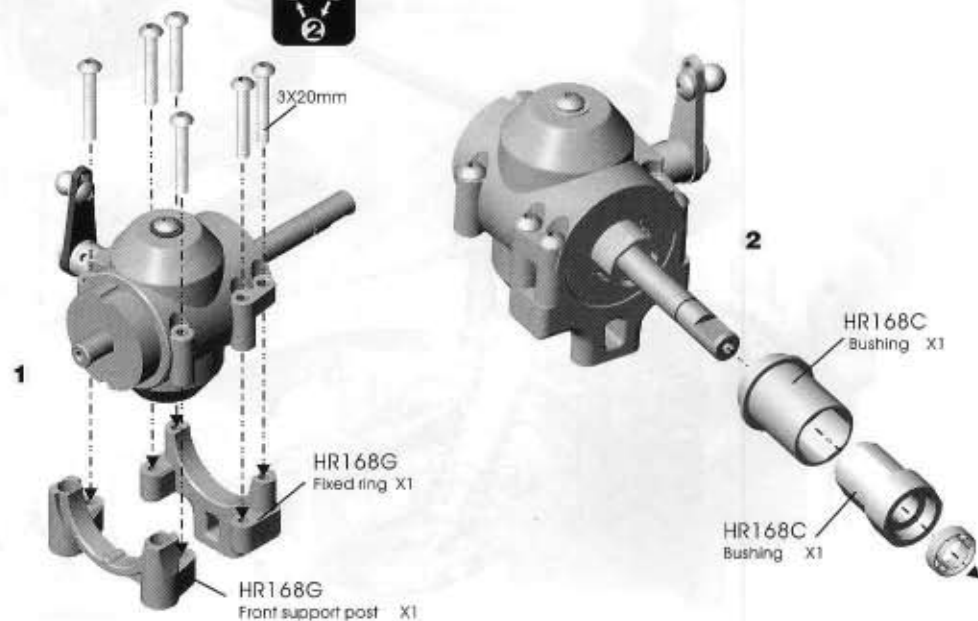
Option-Reverse with 2-Speed system








Reverse system



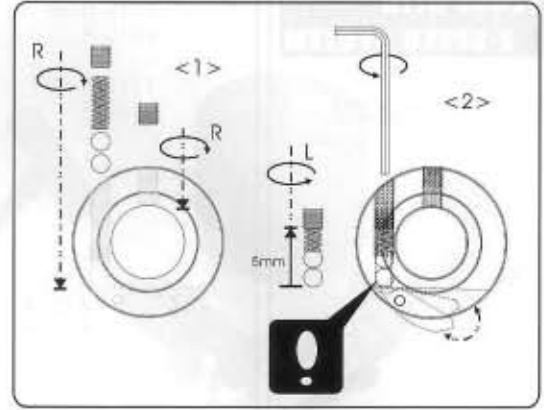
Reverse system



**REVERSE WITH
2-SPEED SYSTEM**

-  HR268K Ball X2
-  HR268K 0.3X15mm Clutch spring X1
-  HR268K 4X4mm Set screw X2
-  HR268K 4X6mm Set screw X2
-  HR268K 2X5.5mm Pin X1

Reverse clutch

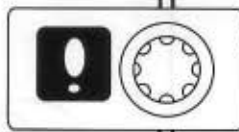


-  HR268K 3X5mm F/H screw X4
-  HR268K 2X10mm Pin X1

2-Speed system



HR268L 14X16X20mm One way bearing X1



HR268L One way bearing mount X1

HR268L 30X39mm Washer X3



87527 54T Steel spur gear X1

HR-268L 2.6X20mm screw X1

HR268L 24X40X1mm Clutch plate X1

HR268L Addition hub X1


HR268K 20X25X4mm bearing X1

87527 52T Steel spur gear X1

HR268K Mount for clutch shoe X1



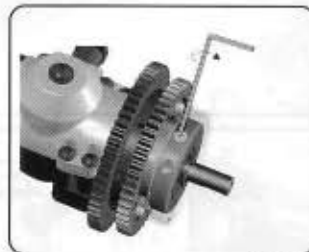
-  87060 Alu. Gap X4

-  HR168C 5MM E-clips X2

-  84010 5X4MM Set screw X2

-  HR168A 6X10X3.5MM Bearing X2

Center gear box-Reverse with 2-Speed system



84010 6mm Joint cup X2

HR168G Consolidate plate X1

87050 Alu. Post X4

HR168G Front support post X1

87060

HR168E X4

HR-168G Front support post X1

HR-168G Rear support post X1

87060

REVERSE WITH 2-SPEED SYSTEM

- 87052 3X20mm screw X2

7 Brake system

- 84014 Brake plate X4
- 84014 Brake pad X3
- 3X20mm
- 84013 Brake disk X2

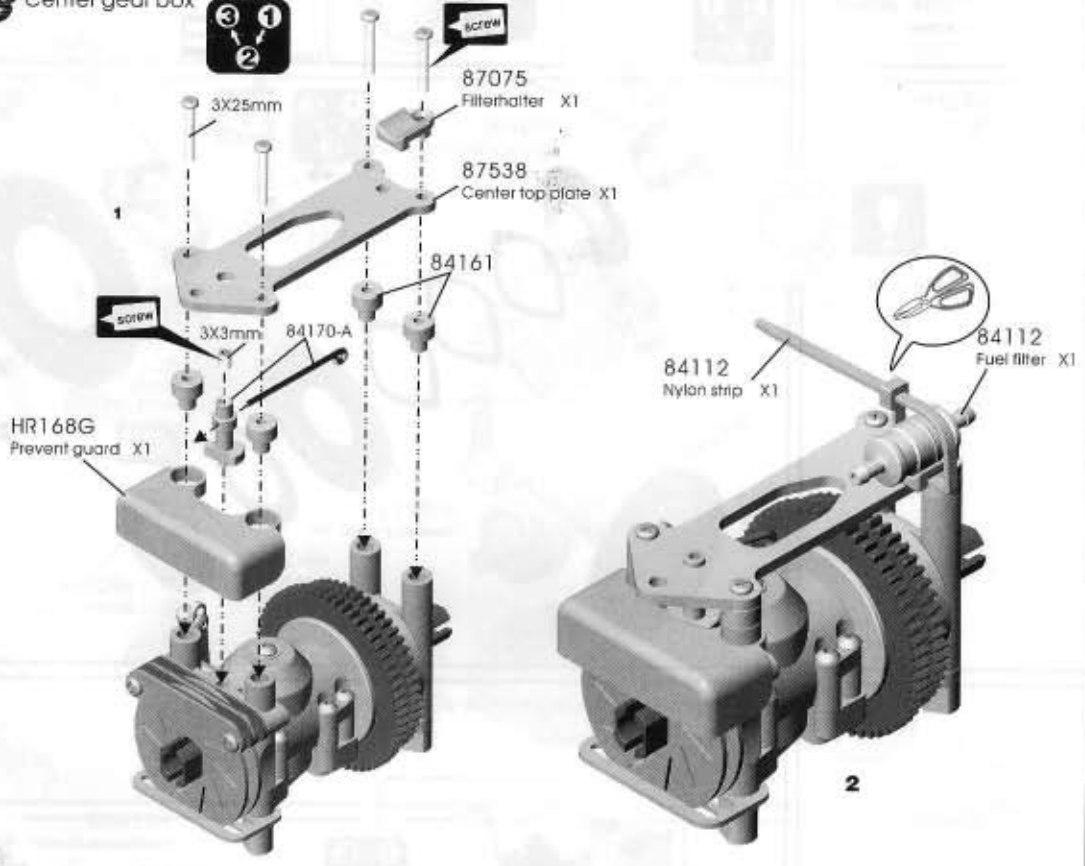
- HR168 3X3mm Set screw X1

- HR168 3X26mm screw X4

- 84170-A Brake cam X1



8 Center gear box

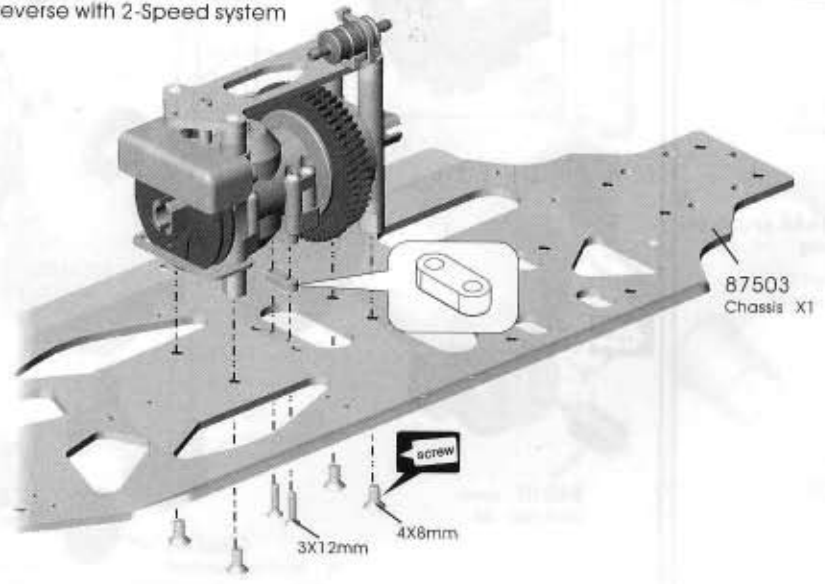


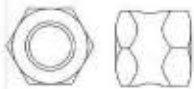
- 87069 4X8mm F/H screw X4

- 87533 3X12mm TP/FH screw X2

- HR168G Center diff gasket X1

Attaching reverse with 2-Speed system



48

T015 Pilot nut X1



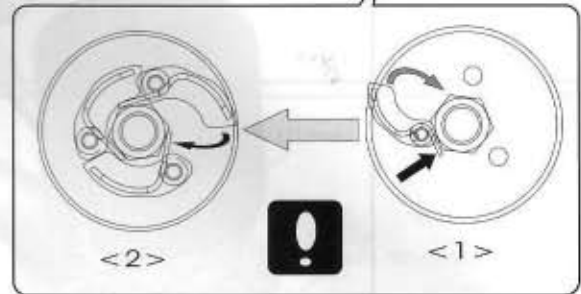
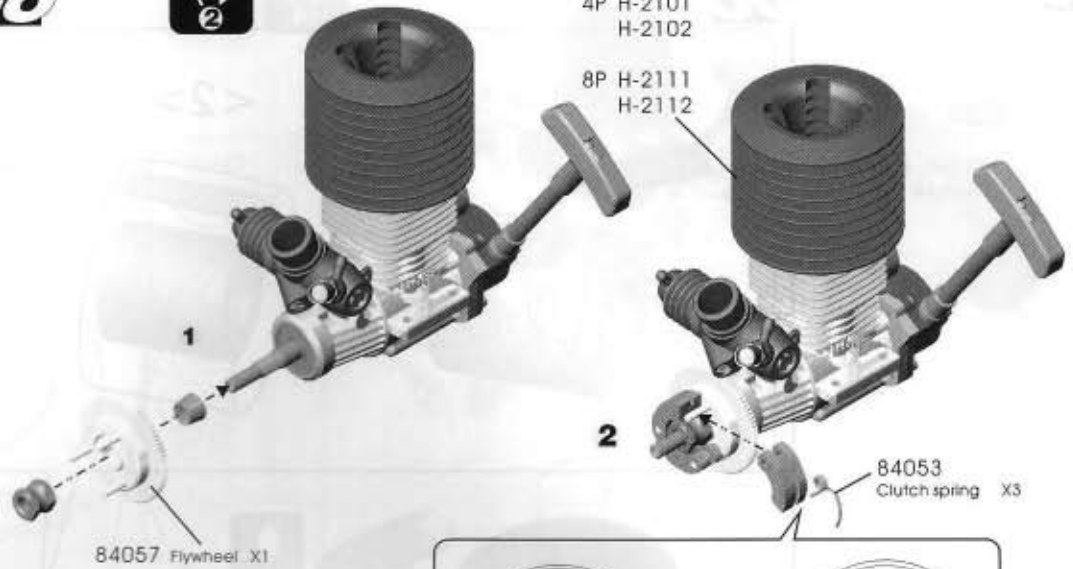
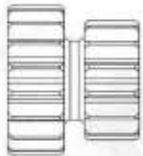
84057 Collar X1



84052 Clutch shoe X3

48

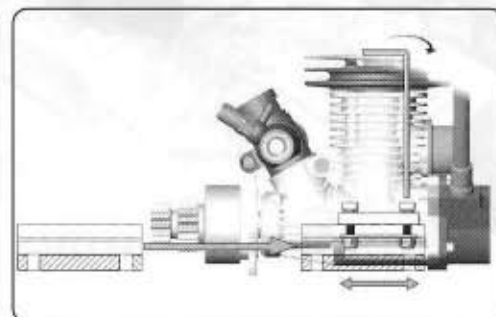
Engine

4P H-2101
H-21028P H-2111
H-2112**49**87532 3.2X5X0.8mm
Washer X487532 3mm
Nylon nut X487532 Engine
mount gasket X284093 13T-17T
clutch bell X184077 5X10X4mm
Bearing X284187 3X8mm
F/H screw X187532 3X14mm
Cap screw X4**49**

2-Speed clutch

84187
Clutch bell X184187 5X8mm
Washer X584187 3.1X6mm
Washer X1

3X8mm

87532 46mm
Engine mount X2

3X14mm

3X14mm

3X14mm

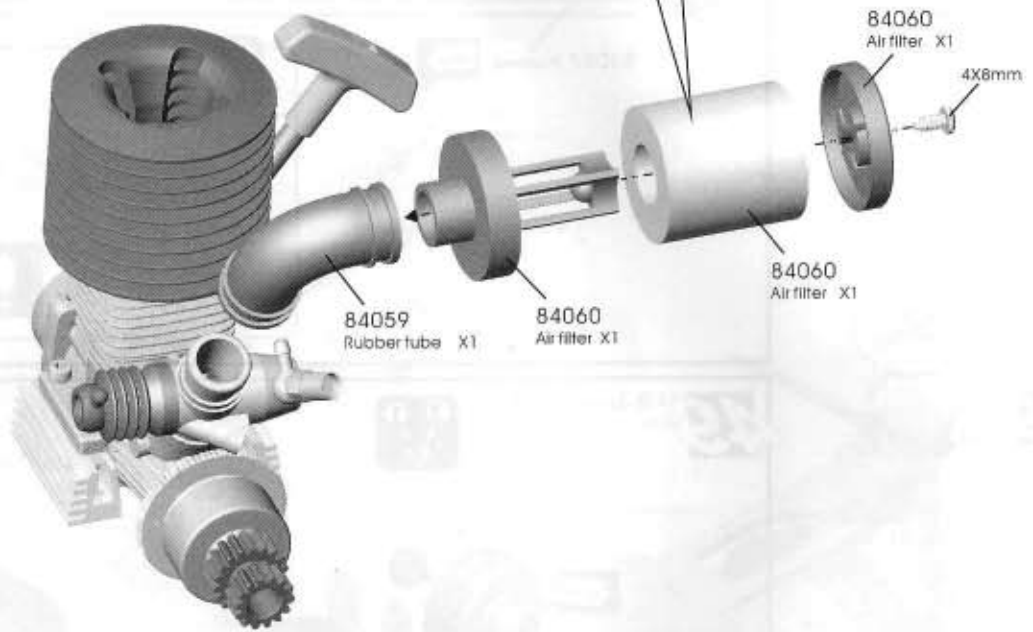
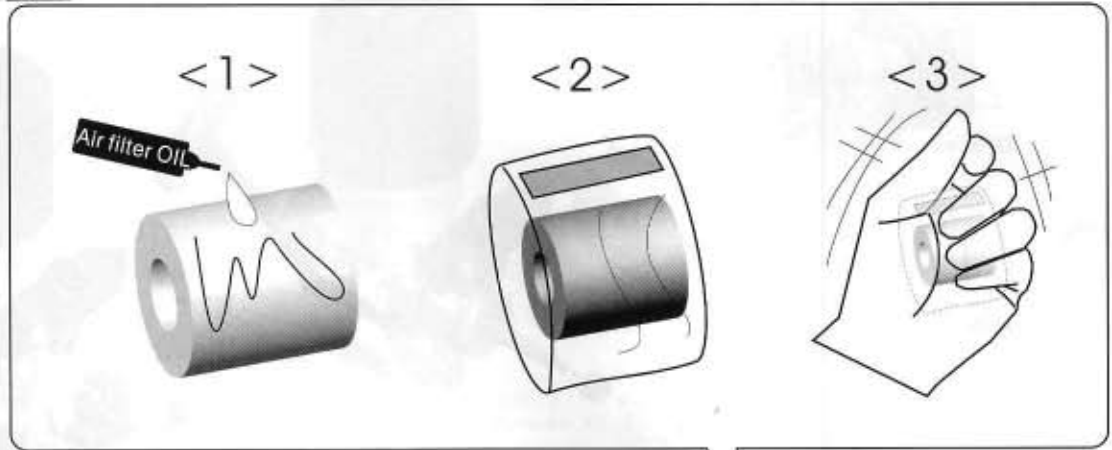
3X14mm

3X14mm

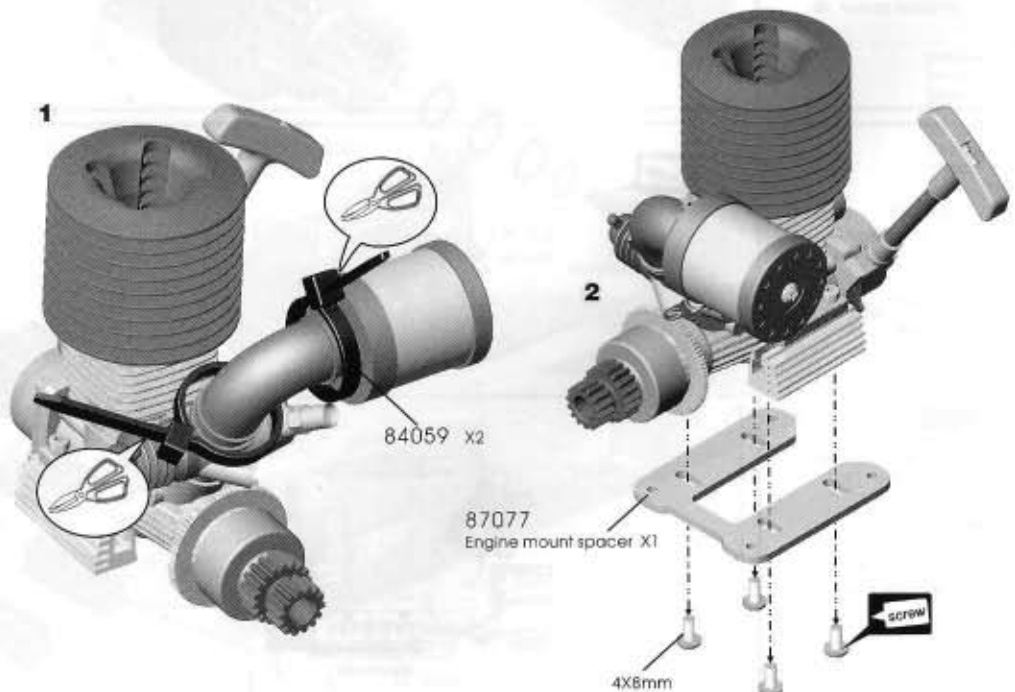
3X14mm



84060 4x8mm
Tapping screw X1



87079-2 4x8mm
Engine screw X4

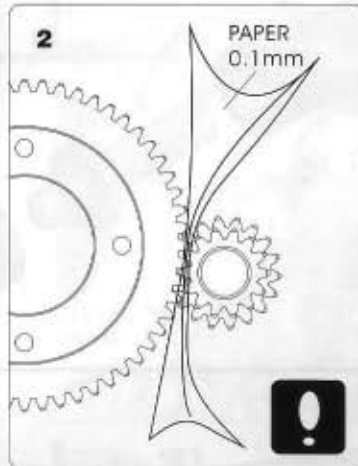
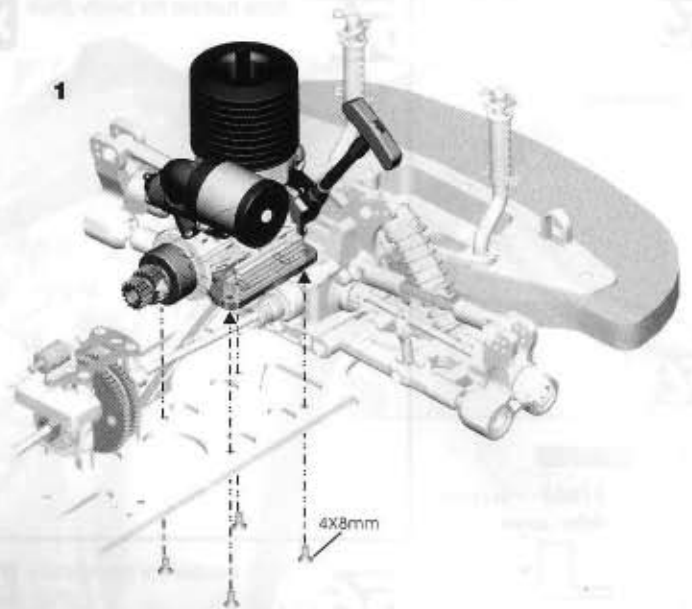


52

87069 4X6mm
F/H screw X4

52

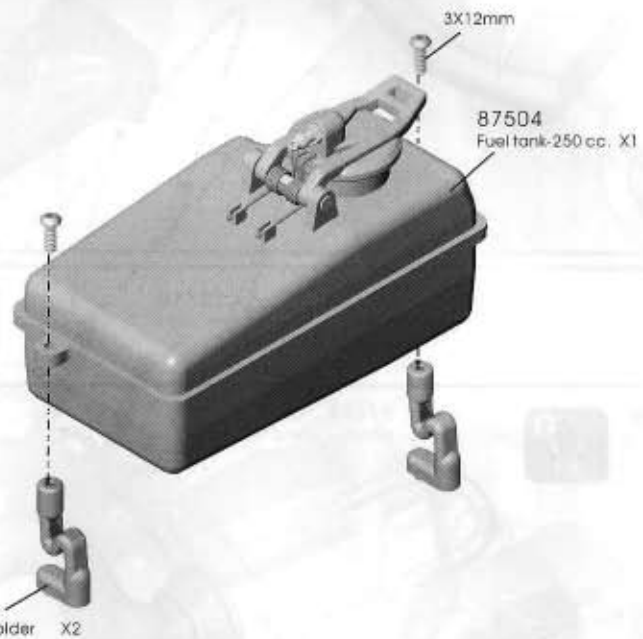
Mounting engine

**1****53**

87504 3X12mm
Tapping Screw X2

53

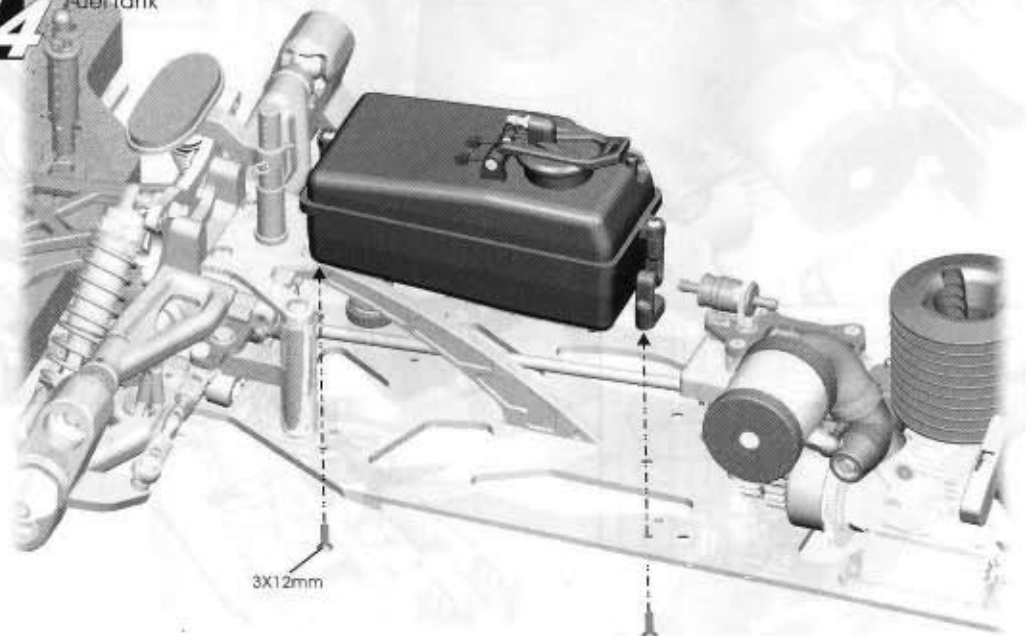
Fuel tank

**54**

87533 3X12mm
TP/FH screw X2

54

Fuel tank



55



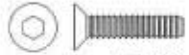
87516 2X12mm
Tapping screw X2

55

Side holder for body shell **X2**



56



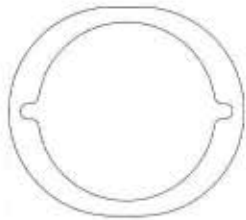
87533 3X12mm
TP/FH screw X4

56

Side holder for body shell **LR**



57



87519
Manifold gasket X1

57

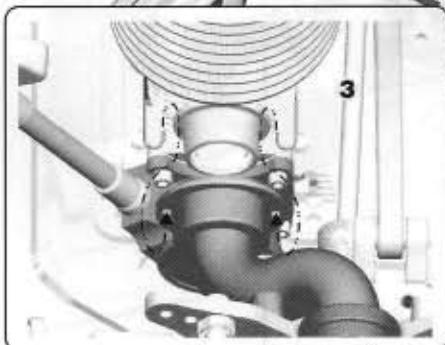
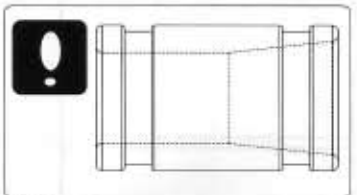
Muffler



87519
Manifold spring X1

2 87519
Manifold X1

84068
Silicone exhaust coupling X1



58

87520 3x3mm
Set screw X1

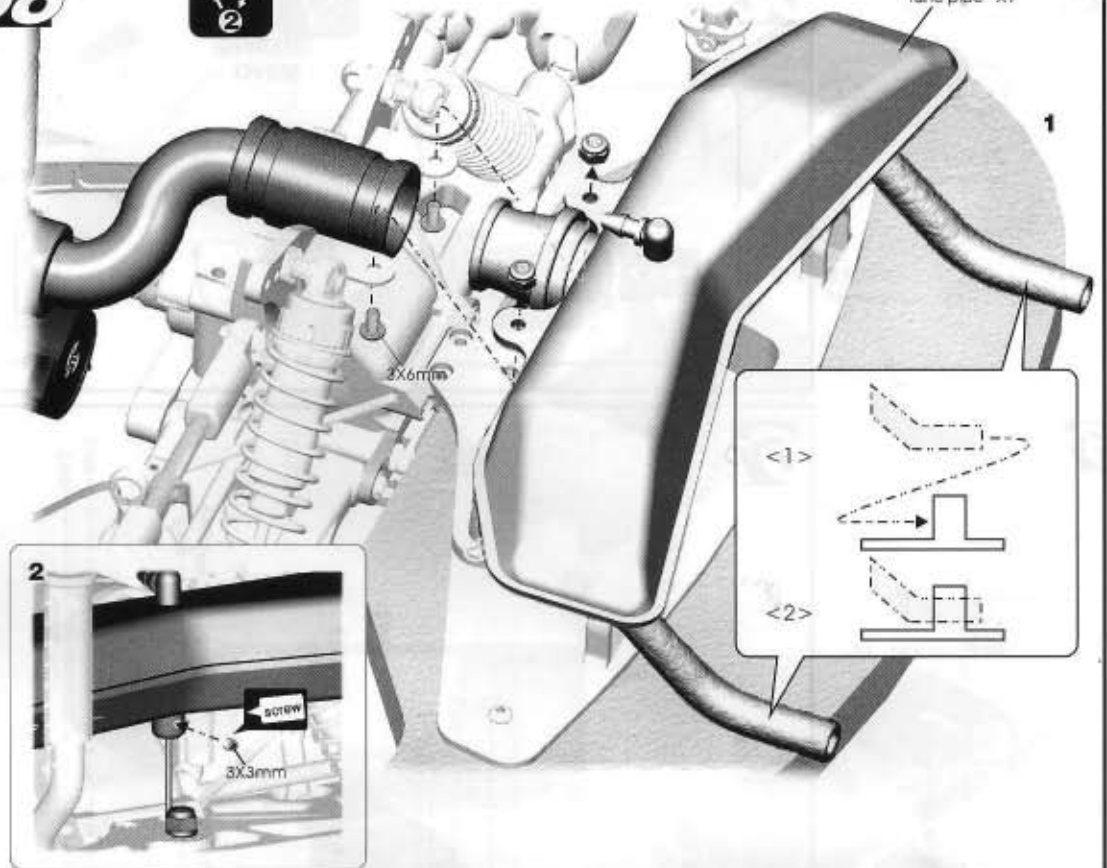
87520 3mm
Nylon nut X2

87520 3x6mm
F/H screw X2

58

Muffler

87520
Tune pipe X1

**59**

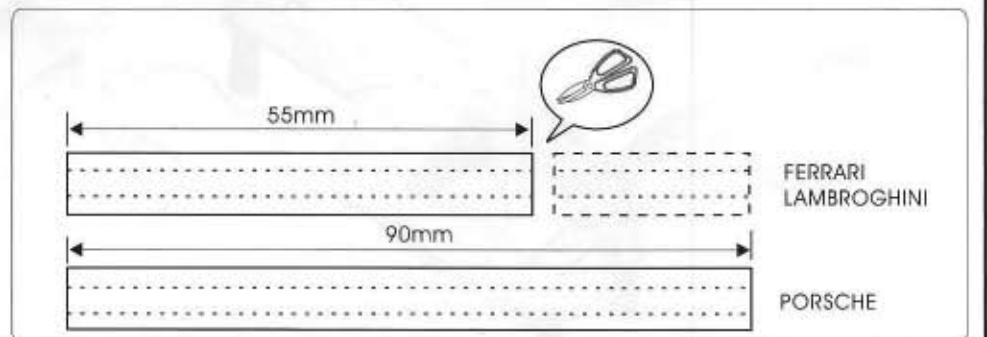
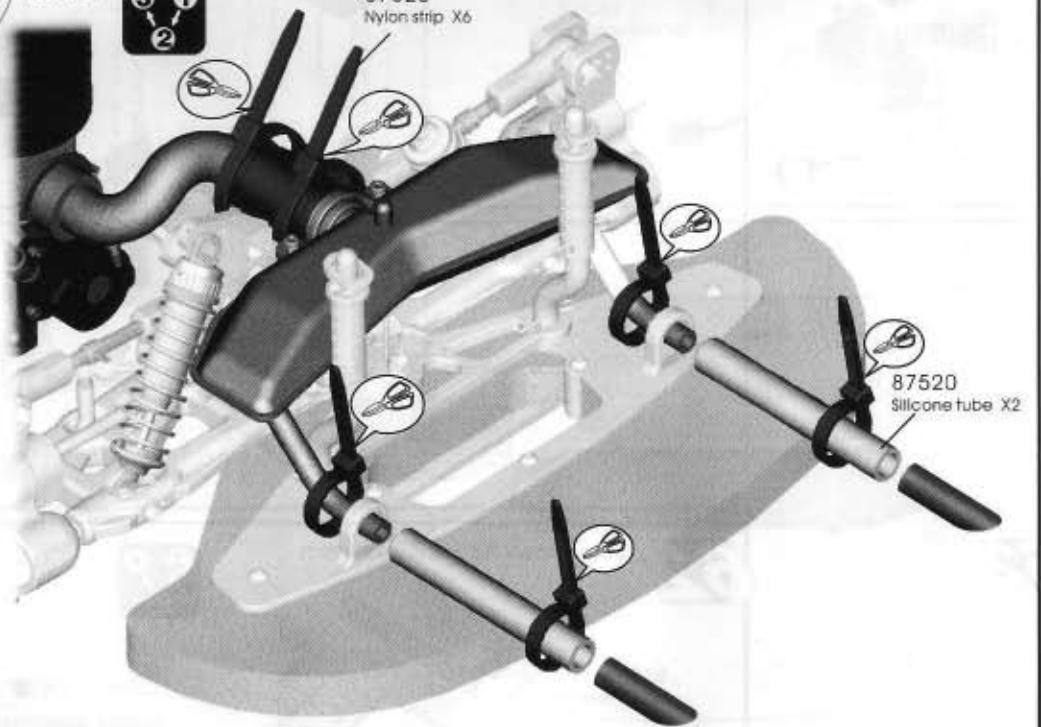
87520
Alu. Tube X2

59

Muffler

87520
Nylon strip X6

87520
Silicone tube X2

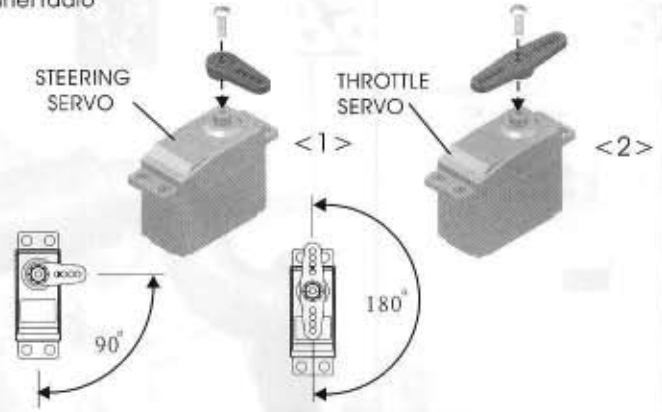
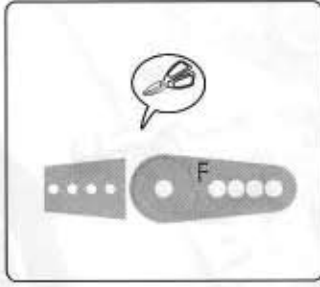


60

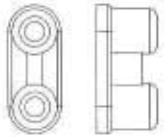
224037
Servohorn X2

60

Checking R/C equipment-2 channel radio

**61**

87086
Radio tray post X4



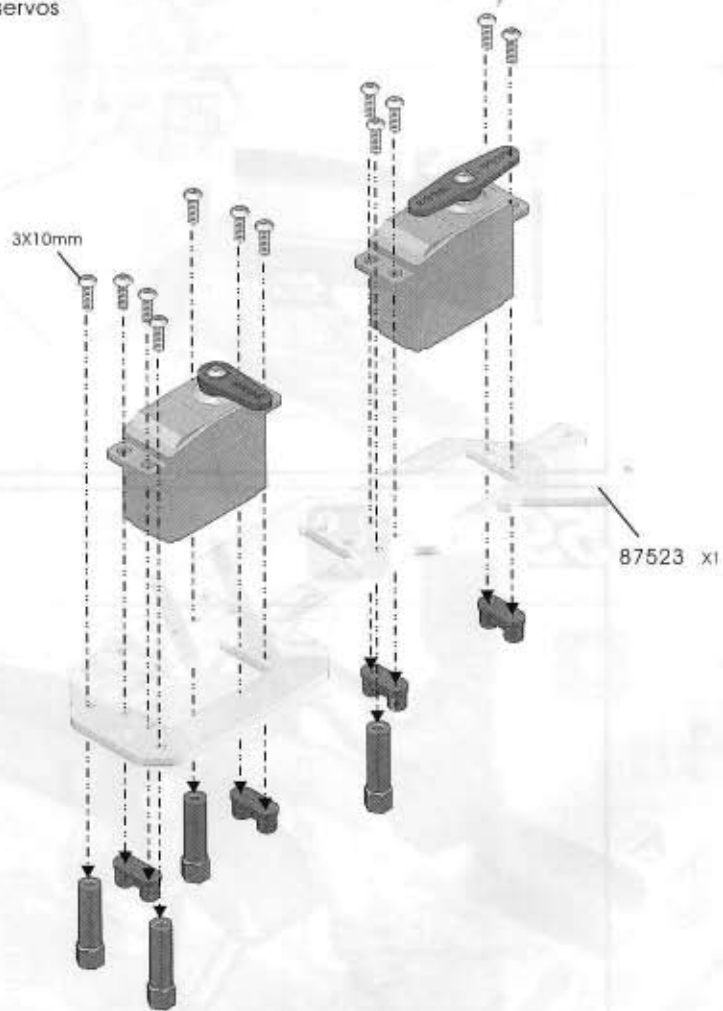
87088
Servo gasket X4



87370 3X10mm
Tapping screw X12

61

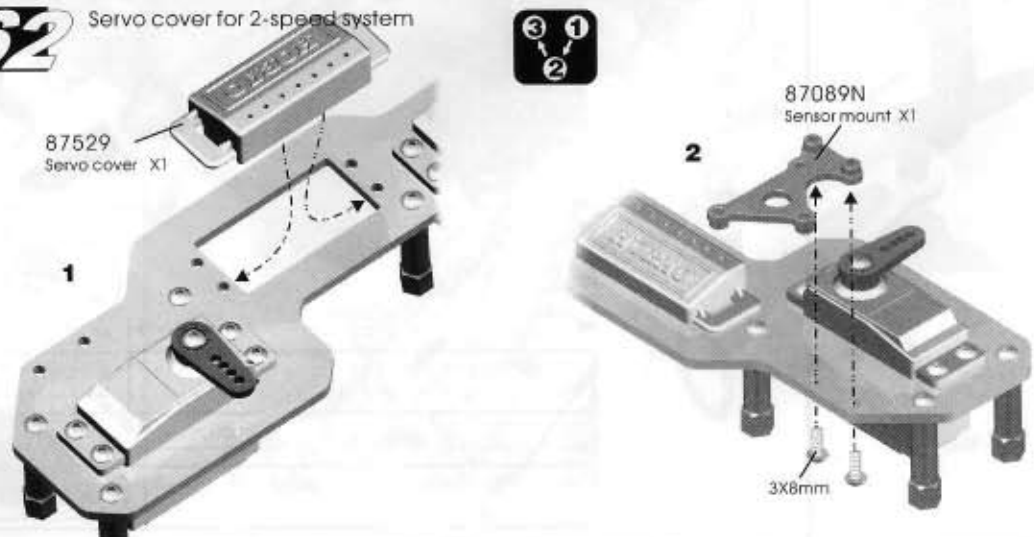
Attaching servos

**62**

87533 3X8mm
Tapping screw X2

62

Servo cover for 2-speed system

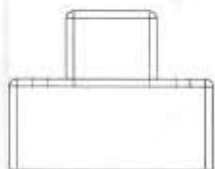


63

87533 3x10mm
Tapping screw X2



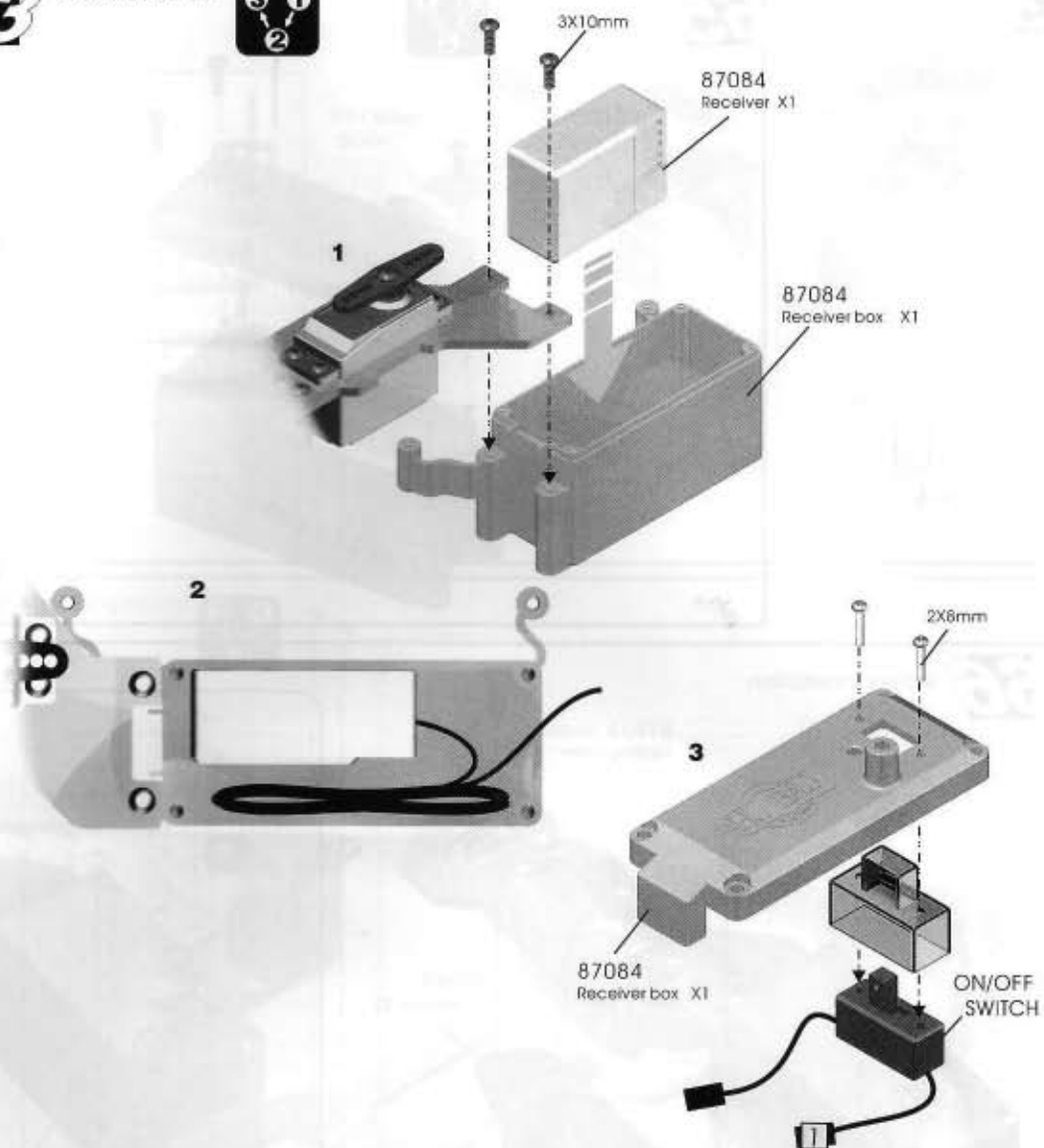
87533 2x8mm
Tapping screw X2



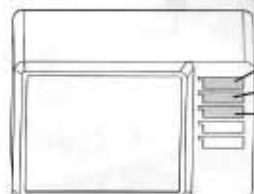
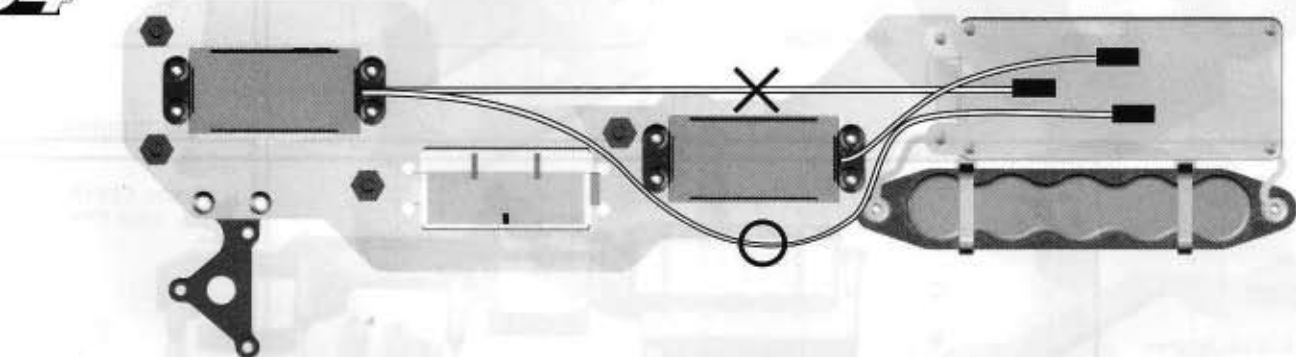
84133
Switch cap X1

63

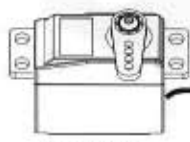
Receiver switch

**64**

Attaching receiver



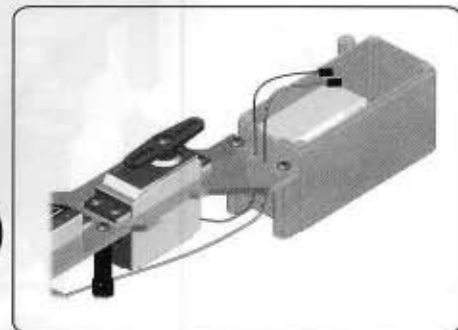
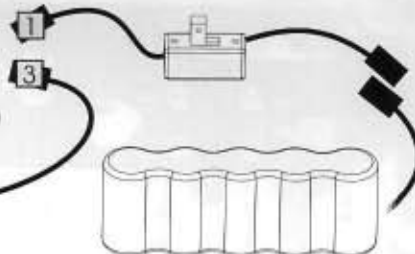
- 1 ON/OFF SWITCH
- 2 STEERING SERVO
- 3 THROTTLE SERVO



STEERING
SERVO



THROTTLE
SERVO

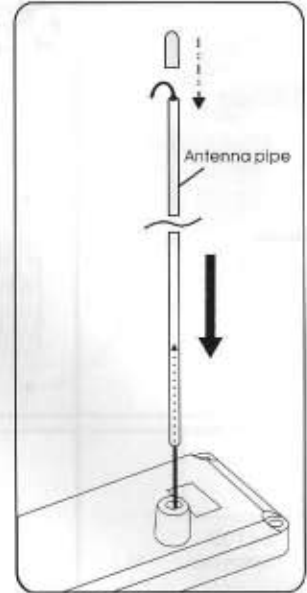
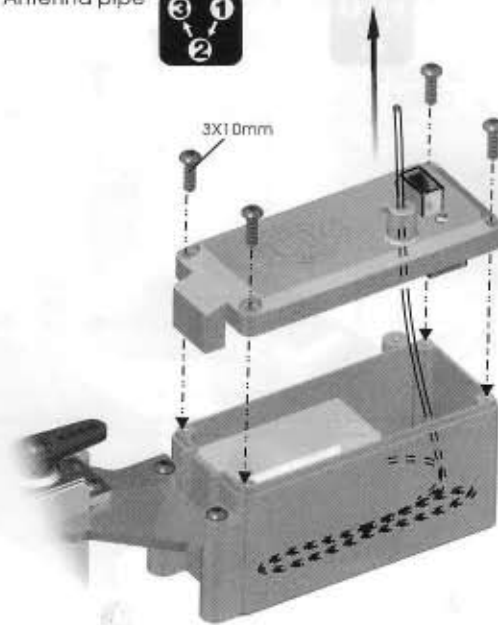


65

87533 3x10mm
Tapping screw X4

65

Antenna pipe

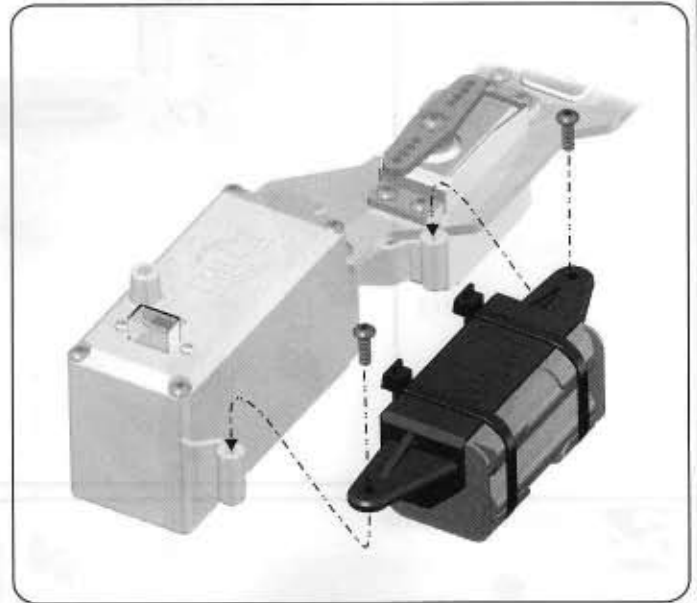
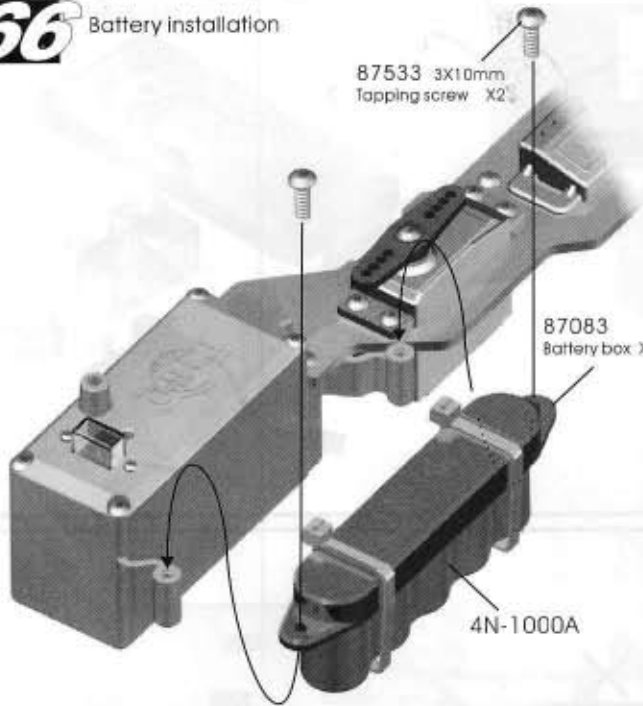
**66**

Battery installation

87533 3x10mm
Tapping screw X2

87083
Battery box X1

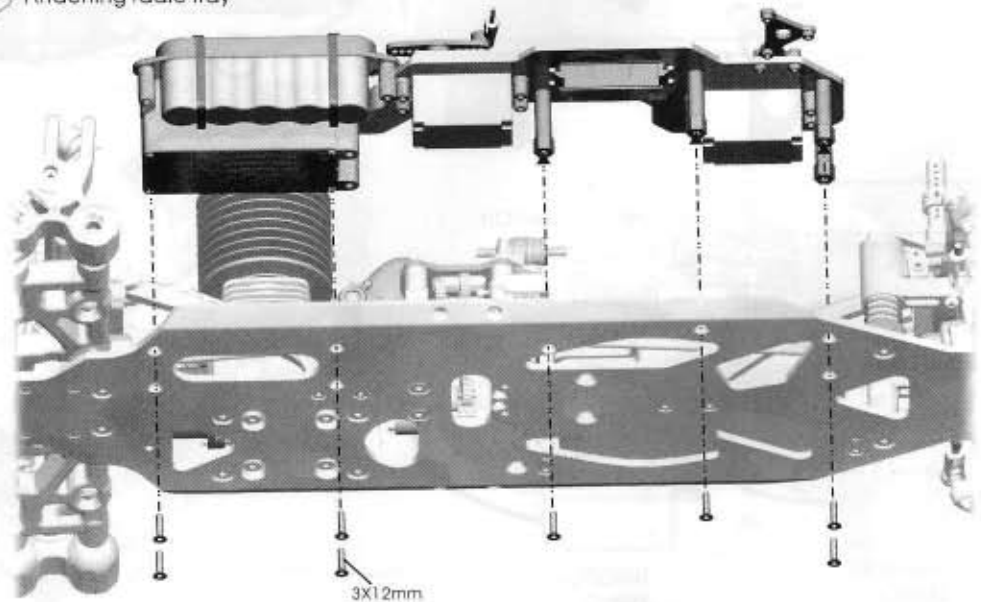
4N-1000A

**67**

87533 3x12mm
TP/FH screw X8

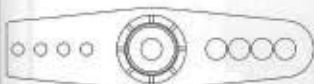
67

Attaching radio tray



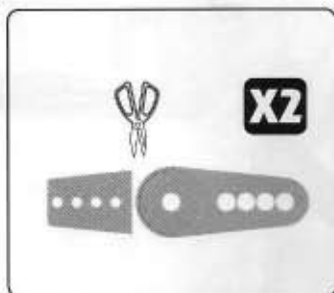
REVERSE OPTION-PART II

REVERSE WITH 2-SPEED SYSTEM



224037
Servo horn X3

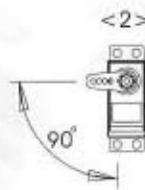
10 Checking R/C equipment-3 channel radio



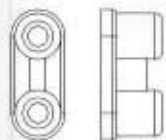
STEERING SERVO

THROTTLE SERVO

REVERSE SERVO



87086
Radio tray post X4



87088
Servo gasket X6



87533 3x10mm
Tapping screw X12



87529 X2

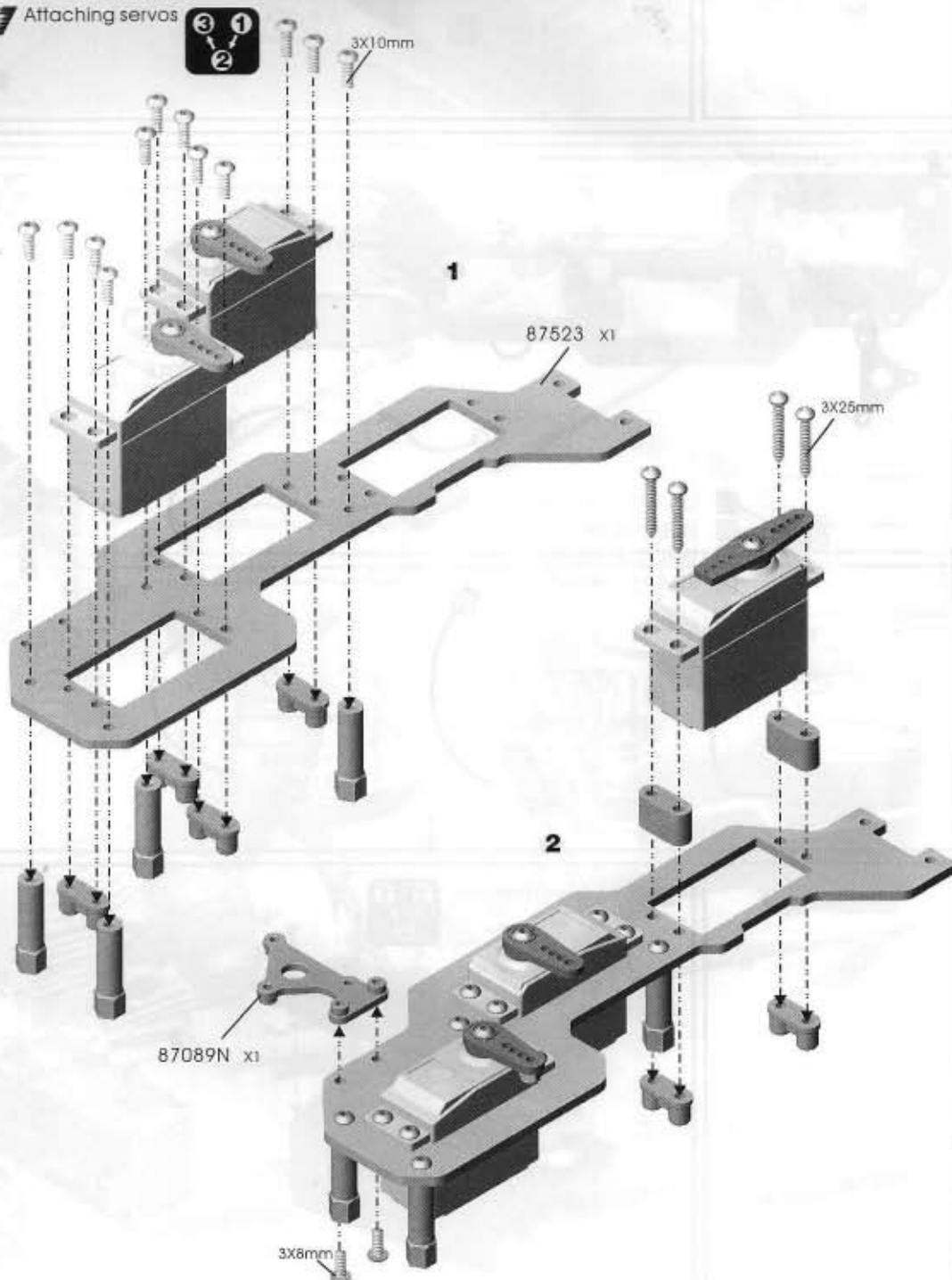


87533 3x25mm
TP/FH screw X4



87533 3x8mm
Tapping screw X2

Attaching servos



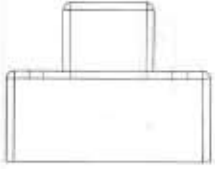
**REVERSE WITH
2-SPEED SYSTEM**



87533 3x10mm
Tapping screw X2

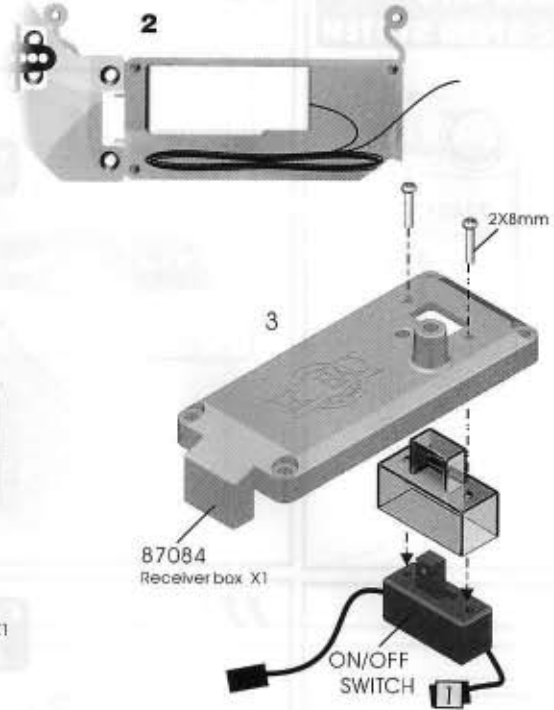
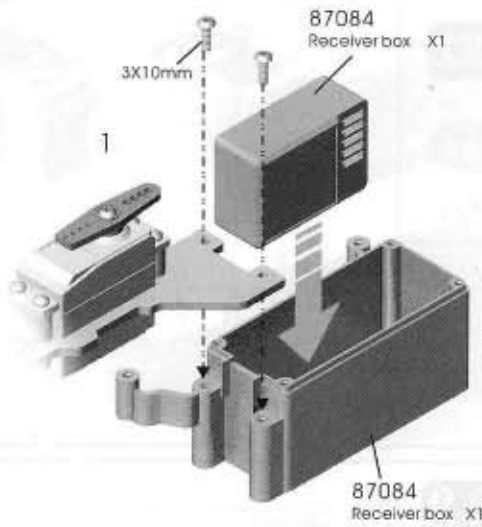


87533 2x8mm
Tapping screw X2

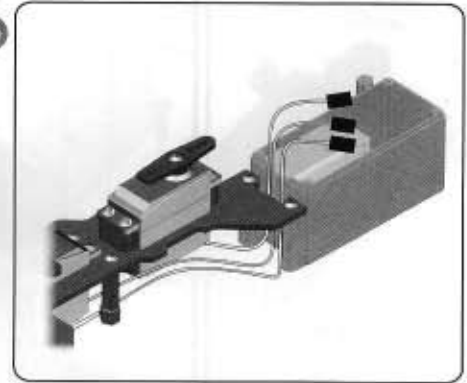
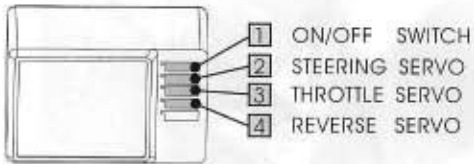
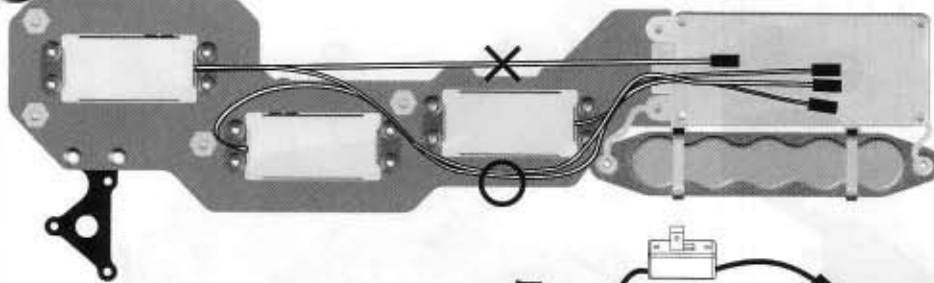


84133
Switch cap X1

12 Receiver switch

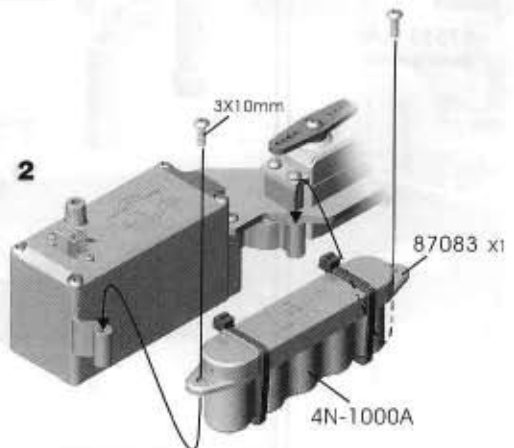
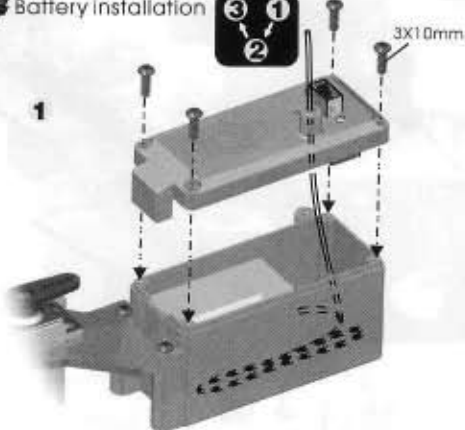


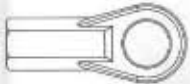
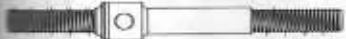
13 Attaching receiver



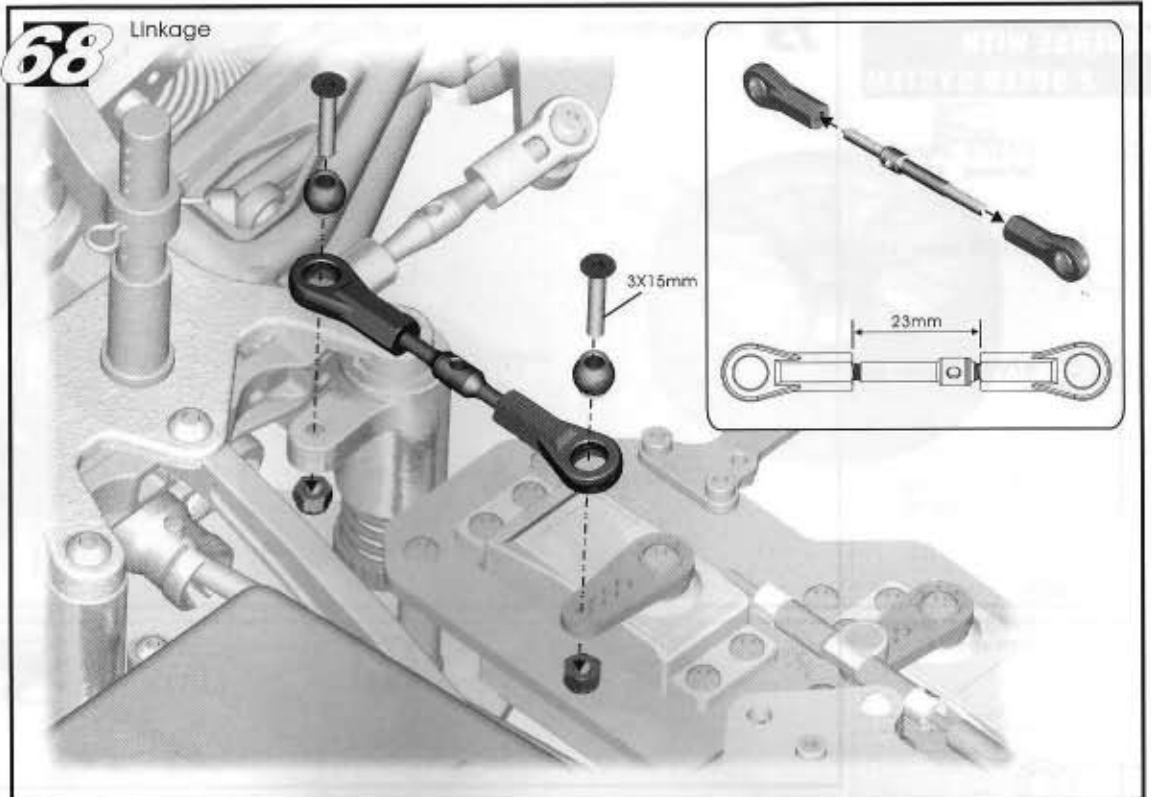
87533 3x10mm
Tapping screw X6

14 Battery installation



6887087
Ball end X287536
Tumbuckle X187533 3x15mm
F/H screw X287016 6.8mm
Ball X287370 3mm
Nylon nut X2**68**

Linkage

**69**87091
Throttle ball end X287091
Throttle spring X187078 6mm
Silicone tube X1

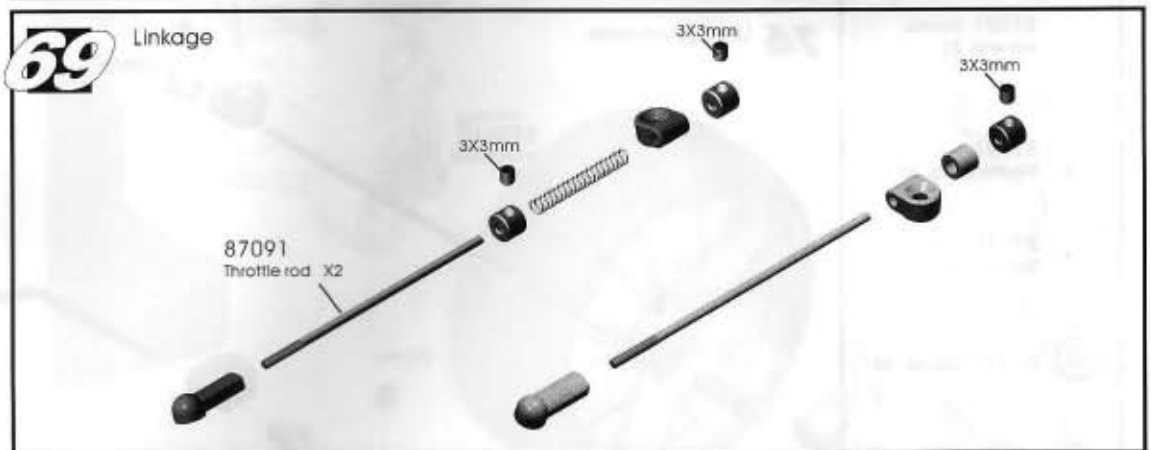
87091 stopper X3



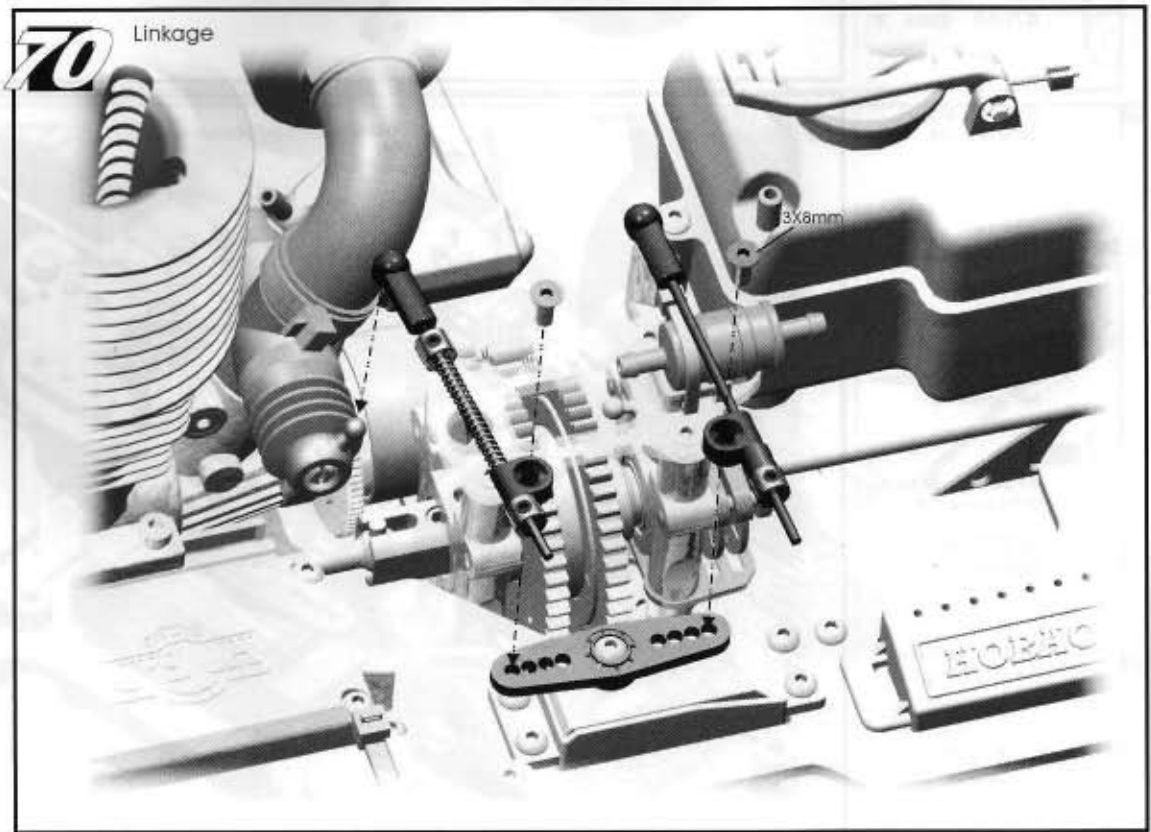
87088 Collar X2

87370 3x3mm
Set screw X3**70**87533 3x6mm
Tapping screw X2**69**

Linkage

**70**

Linkage

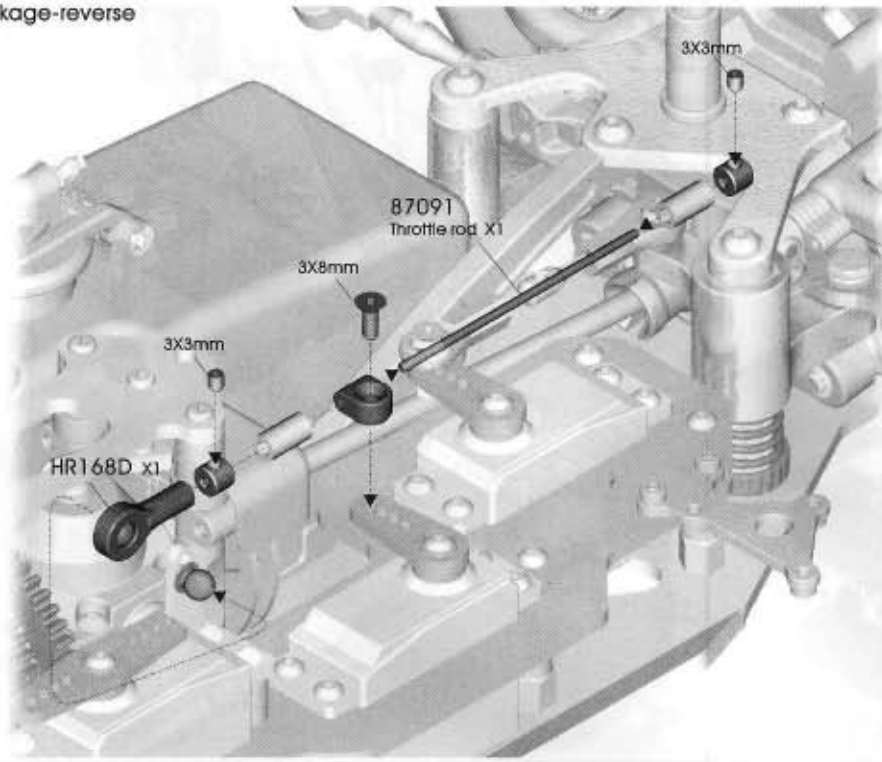


REVERSE OPTION-PART III

REVERSE WITH 2-SPEED SYSTEM

-  **87370** 3X3mm Set screw X2
-  **87088** Collar X1
-  **87091** Stopper X2
-  **87078** 6mm Silicone tube X2
-  **87533** 3X8mm TP/FH screw X1

15 Linkage-reverse



87091 Throttle ball end X1



87091 Throttle spring X1



87078 6mm Silicone tube X1



87091 Stopper X3

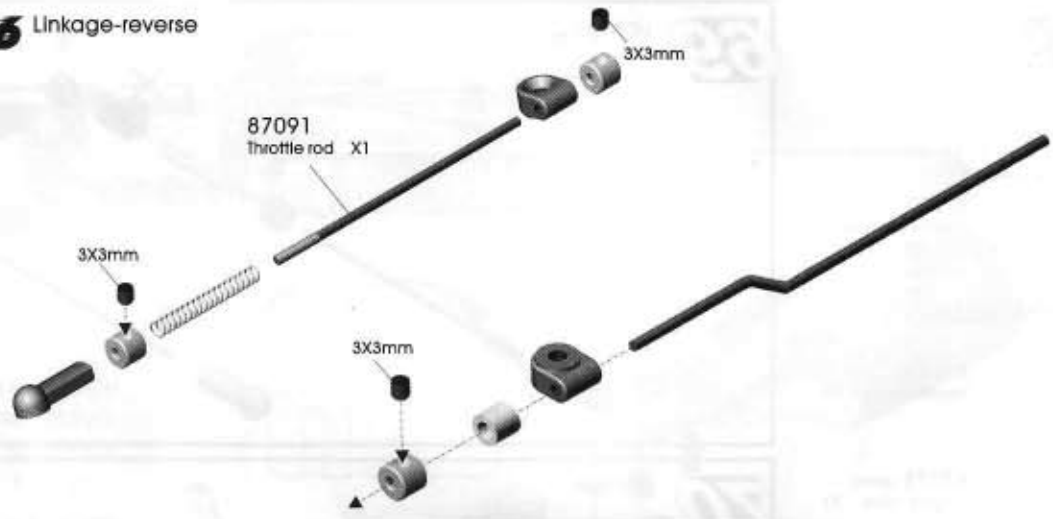


87088 Collar X1



87370 3X3mm Set screw X3

16 Linkage-reverse




 **87533** 2X8mm Tapping screw X2

 **87533** 3X15mm F/H screw X1

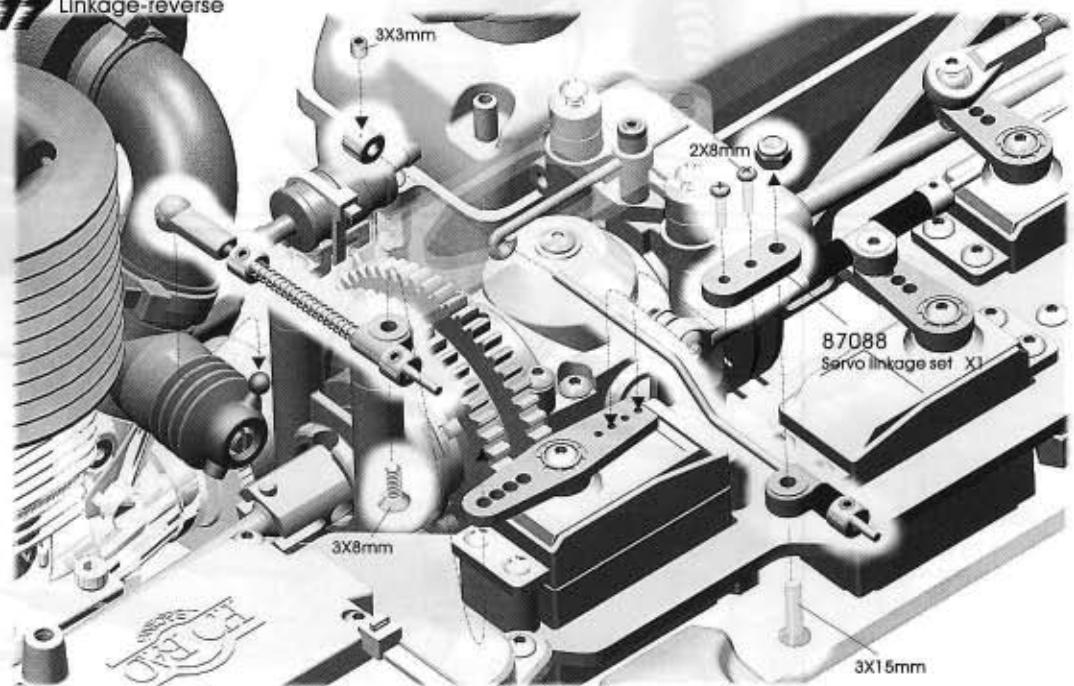
 **87533** 3X8mm TP/FH screw X1

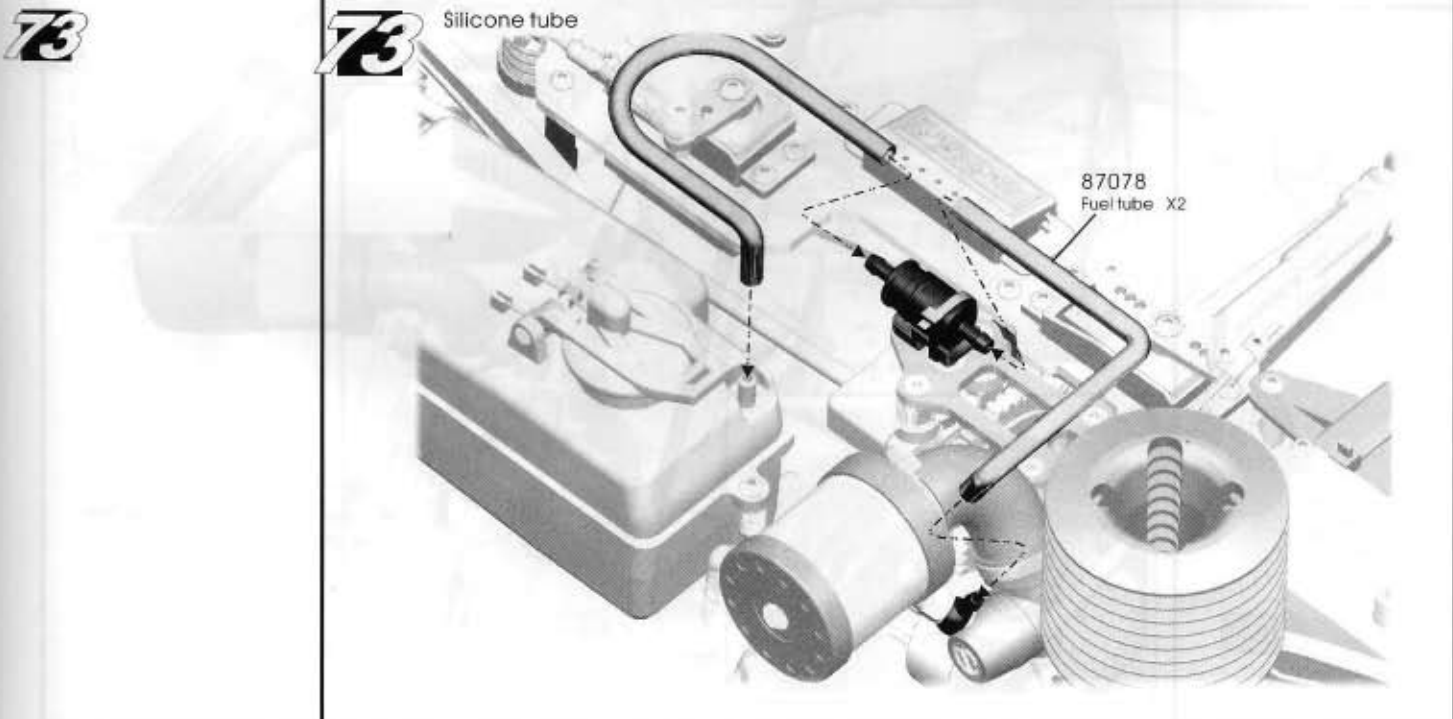
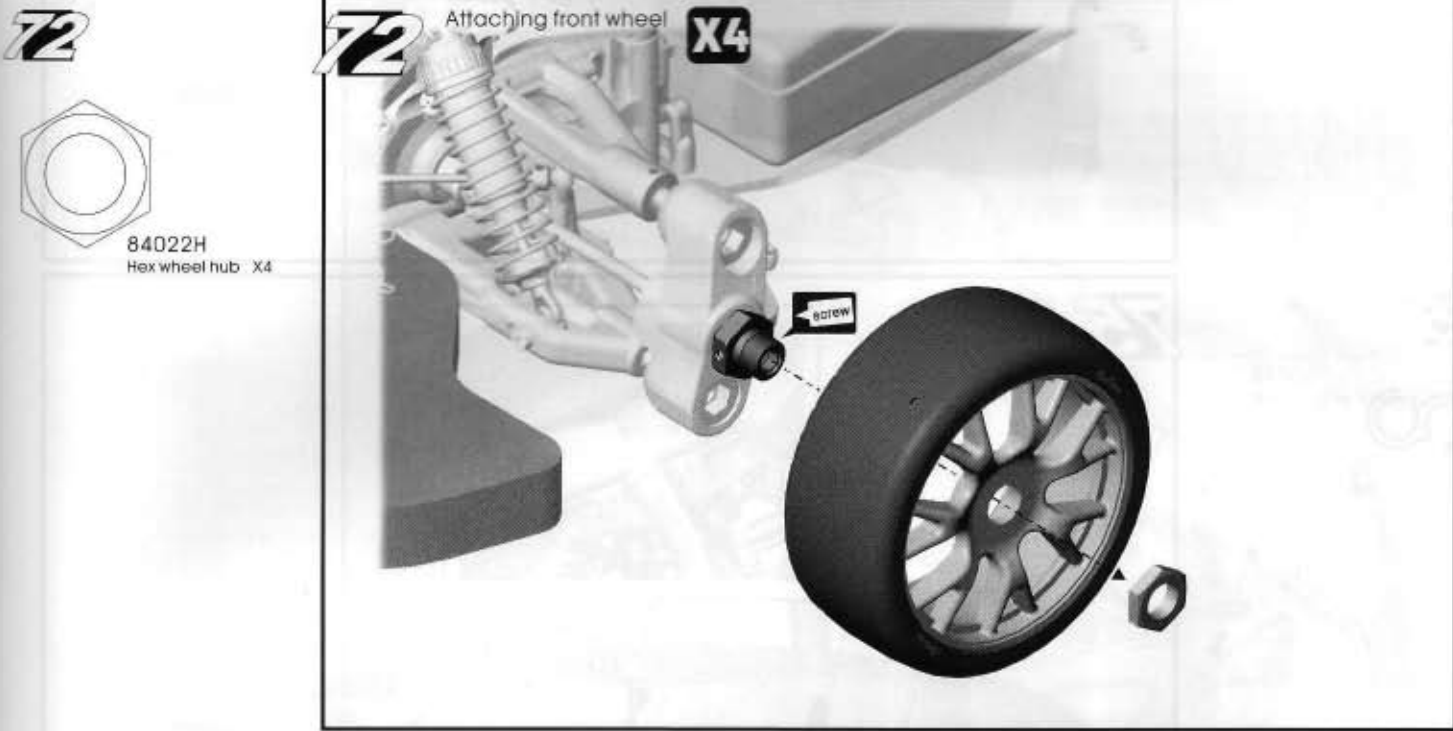
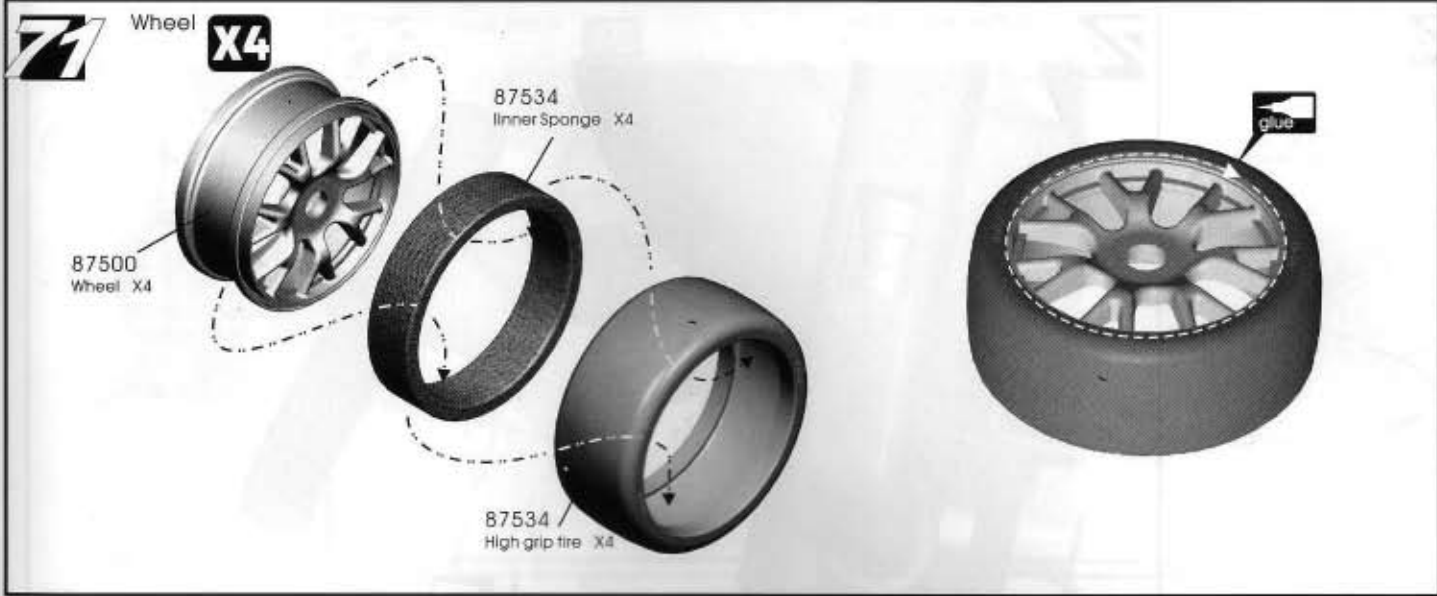
 **87370** 3mm Nylon nut X1

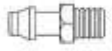
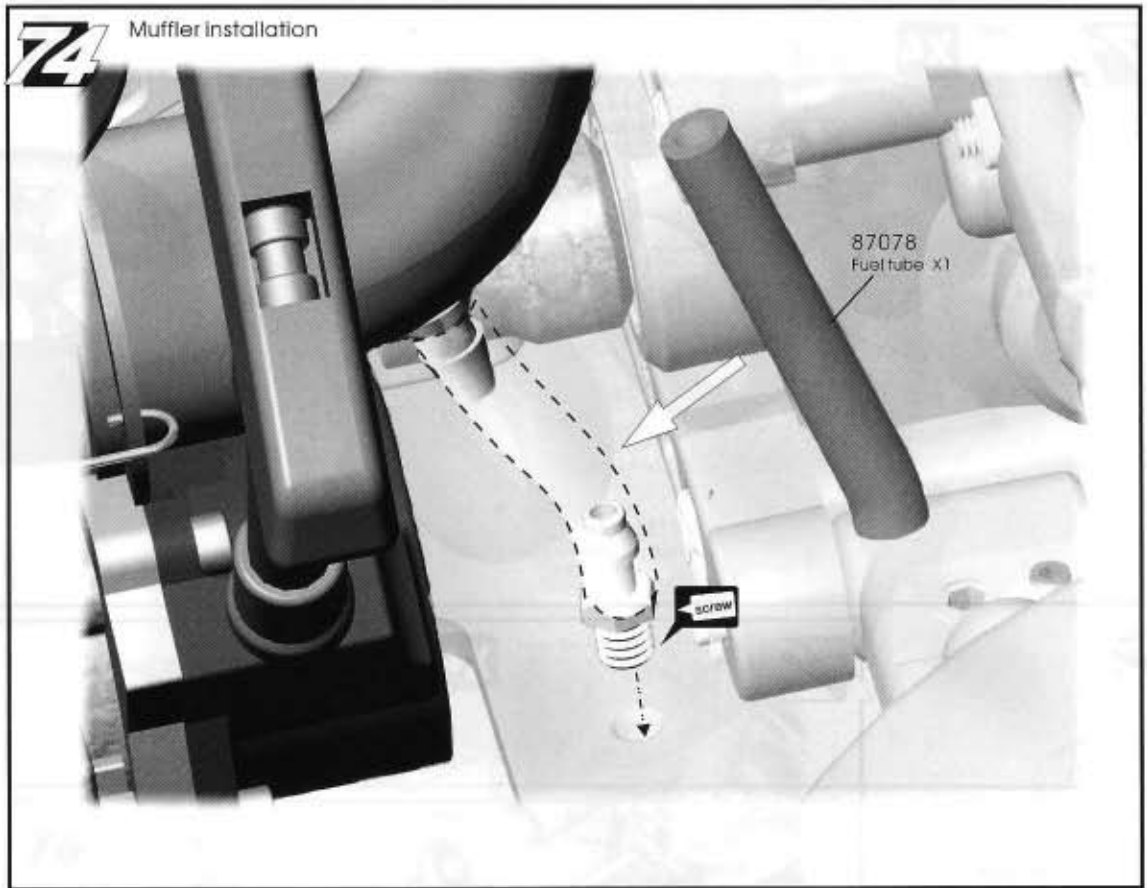
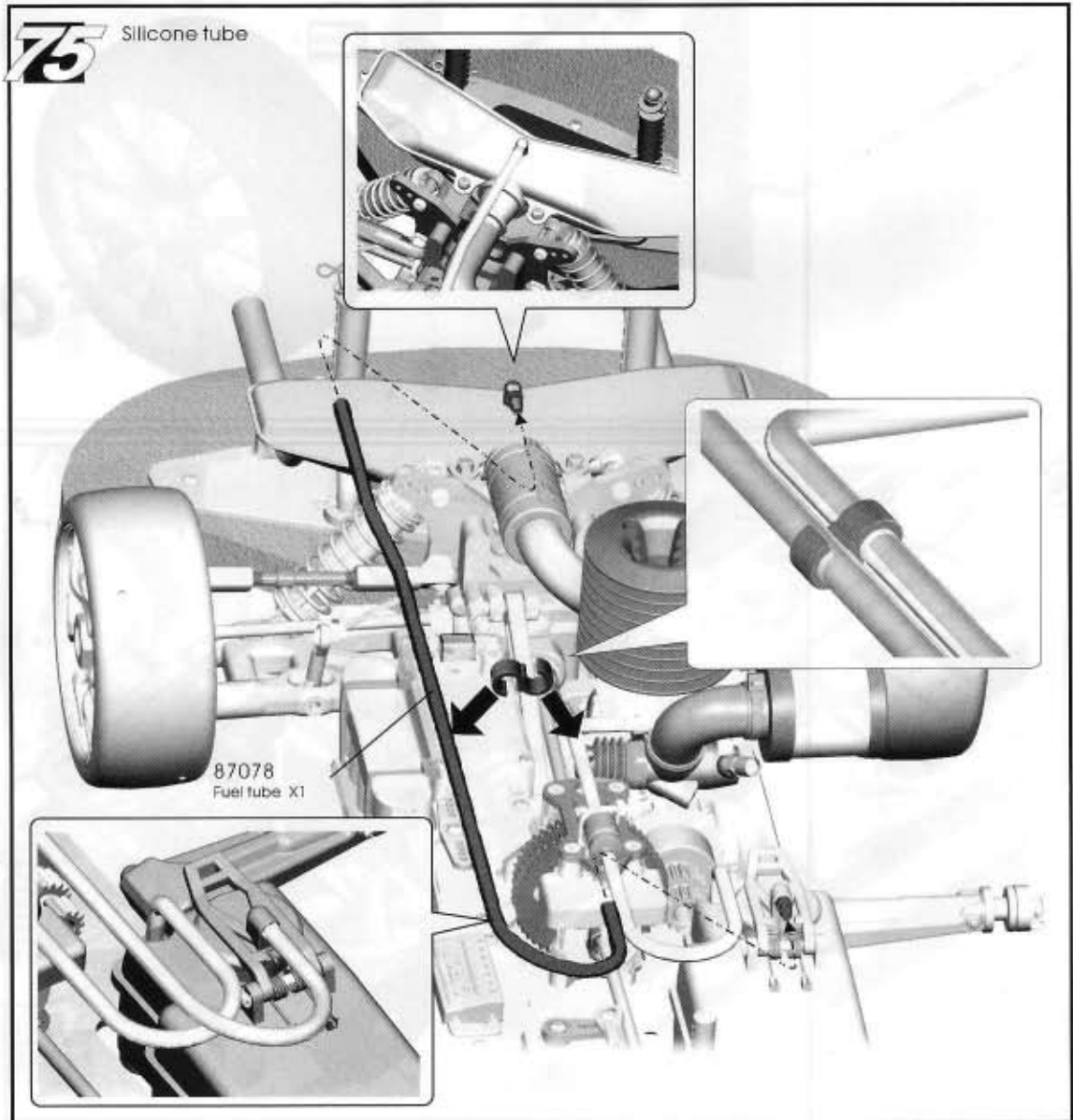
 **87370** 3X3mm Set screw X1

 **87091** Stopper X1

17 Linkage-reverse





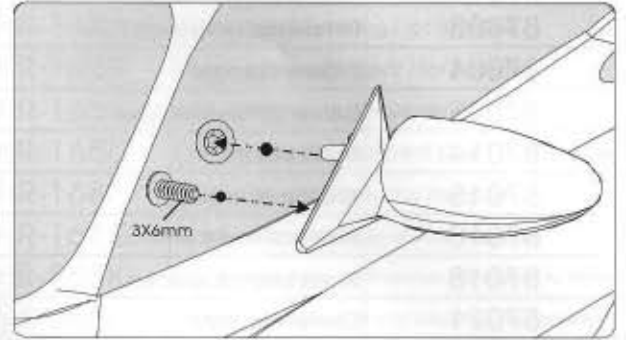
74**74** Muffler installation87519
Tune pipe filter X1**75****75** Silicone tubeT072
Fuel tube clips X1

76

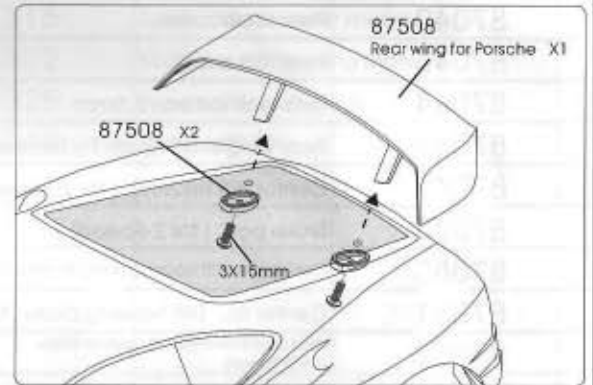
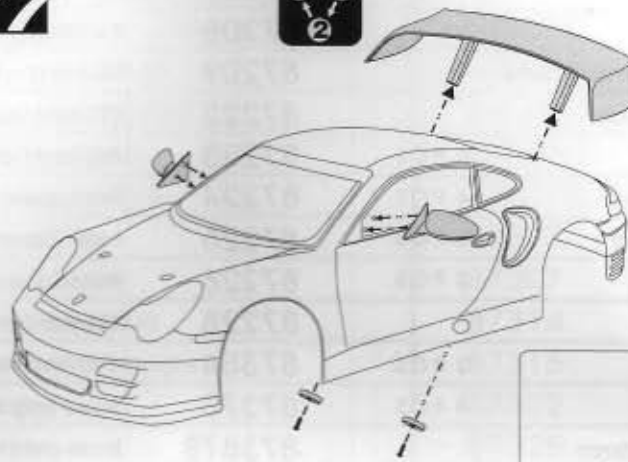
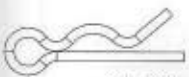
87512 Washer X2

87512 3x6mm
Tapping screw X2**76**

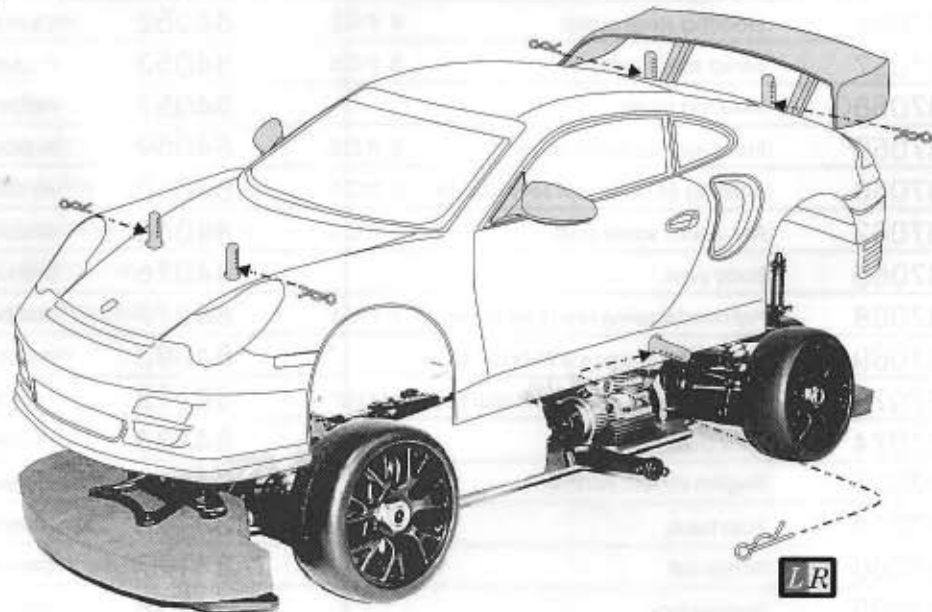
Rear mirror

LR**77**87508 3x16mm
Tapping screw X2**77**

Body mounting

③ ①
②**78**84134
Snap pin X6**78**

Attaching body



PARTS LIST

<i>REF</i>	<i>DESIGNATION</i>	<i>REF</i>	<i>DESIGNATION</i>
87001S	New crown gear	87086	Radio tray post
87002	Bevel gear	87087	Servo ball end set
87003	Differential drive shaft, 2 P C S.	87088	Servo linkage set
87004	Differential case	87089N	Servo mount
87006	Center differential drive. 2 P C S.	87090	Adjusting ground screw M5x12
87014	Shock piston, 4 P C S.	87091	Throttle rod set
87015	Silicone bladder, 4 P C S.	87092	Servo linkage rod set
87016	Steel ball end 6.8mm, 4 P C S.	87121	F/R shock absorber set-3.5mm
87018	Shock boots & spacers, 4 P C S.	87123	3.5mm shock body-original F/R
87021	Center cup joint, 2 P C S.	87125	3.5mm shock shaft-original F/R
87023	Gear box	87206	Pivot ball front steering hubs
87027G	Wheel hub set, 2 P C S.	87207	Pivot ball rear hub
87028	Drive pinion gear	87208	Pivot ball plastic ball washer/spacer
87029G	Front/Rear alu.suspension plate	87209	Pivot ball nuts
87030	Front suspension holder	87222	PBS front upper a arm
87031	Steel shock ball, 4 P C S.	87223	PBS front bottom arm
87033	Suspension shaft-4mm, 4 P C S.	87224	Front upper arm holder
87034	Suspension shaft-3mm, 6 P C S.	87225	Front upper torque plate
87037	Rear wheel shaft, 2 P C S.	87226	Pivot ball w/6x35 and 6x41 screw
87038	Wing stay holder	87228	PBS rear bottom arm
87042	Rear turnbuckle, 2 P C S.	87354	CVD/ front for Hyper One-seven
87043	Rear top arm, 4 P C S.	87370	Screw bag for Hyper 7
87044	Rear anti-roll bar-2.5mm	87387B	Brake disk (for 2-Speed)
87045	Rear wing shaft (both for Reverse & 2-Speed)	87387C	2-Speed alu. Bottom post
87048	Center diff housing, (for 2-Speed) 4 P C S.	87387P	Add component for associated parts / for 2-Speed
87049	Brake pad, (for 2-Speed) 4 P C S.	87397	3.5mm plastic shock parts
87050	Center alu. Diff housing post,(for Reverse) 4 P C S.	87398	3.5mm shock absorber repair set
87051	Center alu. Diff housing plate (for 2-Speed)	84010	Flat joint cap, 2pcs / for Reverse
87052	Hex head screw M3x19, spacer M3x6, (for 2-Speed) 4 P C S.	84013	Steel brake disk for reverse, 2pcs / for Reverse
87054	Brake cam set, (for 2-Speed) 2 P C S.	84014	brake clamp plate, 4pcs / for Reverse
87055	Steering ball end set, 8 P C S.	84022HG	Hex wheel hub, 4pcs Grey
87056	Steering steel collar, 6 P C S.	84052	Clutch shoe, 3pcs
87057	Servo saver arm, 3 P C S.	84053	Clutch spring, 5pcs
87058G	Steering plate	84057	Picco flywheel
87059	Steel axle for servo saver, 2 P C S.	84059	Rubber tube
87060	Bushing 6x10mm for servo saver, 2 P C S.	84060	Air filter, 2pcs
87062	Alu. Servo saver post, 2 P C S.	84068	Silicone tube for manifold & pipe
87065	Body post	84076	Ball bearing 8x16, 4pcs
87068	Flat head tapping M4x18 for chassis, 8 P C S.	84077	Ball bearing 5x10, 4pcs
87069	Screw M4x8, 6pcs & M4x10, 4pcs	84093	Pinion gear 13T/17T / for 2-Speed
87070	Screw M3x50, steel ball, alu. Spacer M3x7	84112	Fuel filter
87074	Tank post	84133	Switch cap
87077	Engine mount spacer	84170A	1/7 Brake shaft / for Reverse
87078	Fuel tube, 2 P C S.	84176	Clutch set for 2-Speed
87080	Screw set	84177	Gear hub #A# for 2-speed
87083	Battery box	84178	Gear hub #B# for 2-speed
87084	Receiver box	84187	Clutch bell for 2-speed

PARTS LIST

<i>REF</i>	<i>DESIGNATION</i>	<i>REF</i>	<i>DESIGNATION</i>
84188	Main shaft / for 2-Speed	87538	Center alu. diff housing plate
224037	Servo horn set		
224044	Clutch nut, 2pcs	HR-168A	Main gear & bearing / for Reverse
87500S	Hyper One-seven rims	HR-168B	Bearing and side gear / for Reverse
87501	F/R bumper sponge for Porsche	HR-168C	Steel bushing / for Reverse
87502	F/R bumper sponge for Ferrari & Lambroghini	HR-168D	Control rod and connect post / for Reverse
87503	Hyper One-seven chassis	HR-168F	Center plastic case / for Reverse
87504	Fuel tank-250cc	HR-168G	Plastic F/R support post / for Reverse
87505	Clear body shell-Porsche	HR-268K	Clutch shoe and mount for reverse of 2-speed / for Reverse
87505S	Printed body shell-Silver	HR-268L	Clutch plate and one way bearing / for Reverse
87506	Clear body shell-Ferrari		
87506R	Printed body shell-Red		Optional Parts
87507	Clear body shell-Lambroghini	87029C	Front suspension plate in 7075
87507B	Printed body shell-Blue	87029C1.5	Front suspension plate in 7075-Low 1.5mm
87508	Wing set-plastic-Porsche	87040C	Rear suspension plate in 7075
87509	Wing set-PC-Porsche	87058C	Steering plate in 7075
87509B	Black wing for Porsche	87077C	Engine spacer, CNC
87510	Wing set-Ferrari	87305	Alu. Front bottom arm holder
87510R	Red wing for Ferrari	87307	Alu. Rear bottom arm holder
87511	Wing set-Lambroghini	87314	Turnbuckle for rear arm
87511B	Black wing for Lambroghini	87315	Turnbuckle for steer knuckle
87512	Back mirror	87322	Graphite diff housing plate
87513	Brace set	87325	Torsen differential, F/R
87514	Front bottom & upper bumper plate	87343	Spider diff, F/R
87515	1/7 Bumper set		
87516	Side holder for body shell		
87517	Front body post		
87518	Rear body post		
87519	1/7 Manifold set		
87520	1/7 Tune pipe		
87521	1/7 Front shock tower		
87522	1/7 Rear shock tower		
87523	1/7 Radio tray		
87524	1/7 Center shaft (for reverse system)		
87525	1/7 Center shaft (for 2-speed)		
87526	Center body shell post		
87527	Spur gear 52T/56T (for reverse system)		
87528	Spur gear 44T/48T (for 2-speed)		
87529	Holder for body post & servo cover		
87530	1/7 Shock spring set		
87531	Rear bumper holder		
87532	1/7 Engine mount		
87533	Screw bag for Hyper One-seven		
87534	1/7 High grip tire		
87535	Reverse with 2-speed system for 1/7		
87536	Turnbuckle for 1/7		
87537	2-Speed system for 1/7		

Hobao Racing

HO BAO ENTERPRISING CO.,LTD.

WWW.HOBAO.COM.TW

E-MAIL:hobao@hobao.com.tw

MADE IN TAIWAN

